

# CHS985SELSS

## GE Café™ Series 30" Slide-In Front Control Induction and Convection Range with Warming Drawer

### DIMENSIONS AND INSTALLATION INFORMATION (IN INCHES)

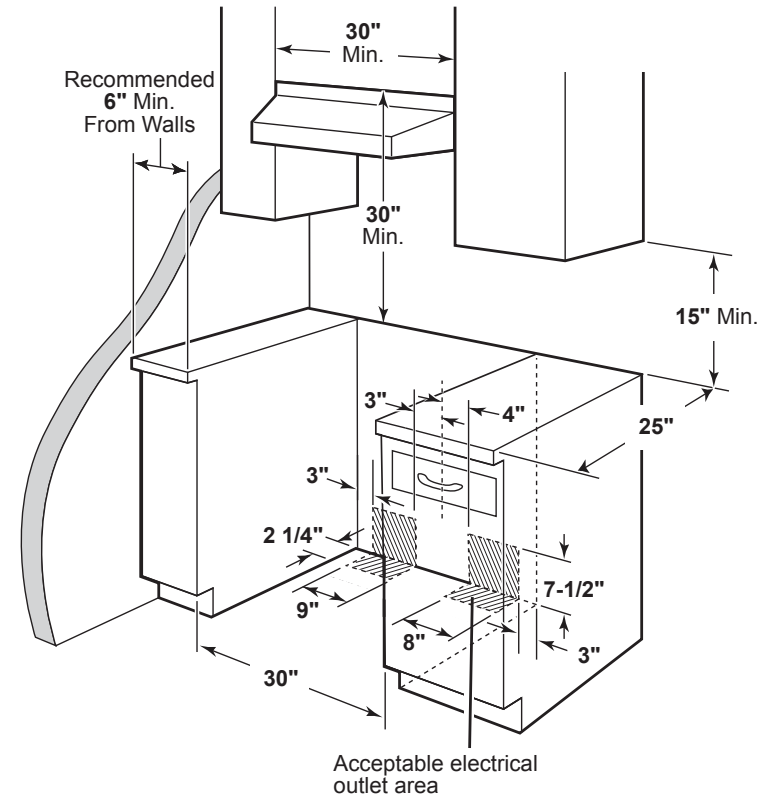
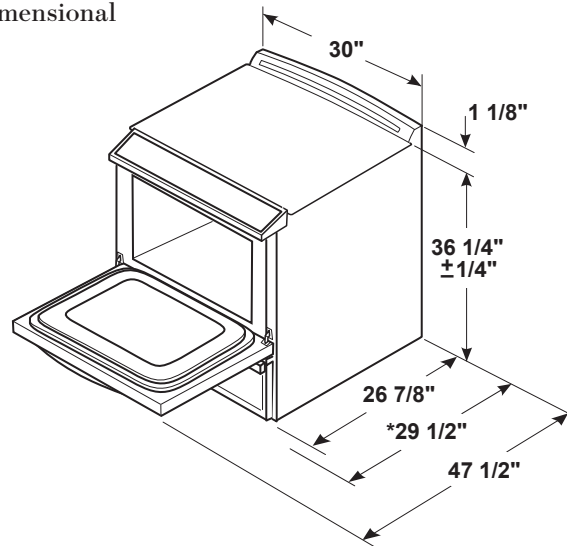
**RECEPTACLE LOCATIONS:** Locally approved flexible service cord or conduit must be used because terminals are not accessible after range installation. See shaded area in drawing for location of electrical outlet box. Recommended outlet locations allow range to be installed directly against rear wall.

**NOTE:** This appliance has been approved for 0" spacing to adjacent surfaces above the cooktop. However, a 6" minimum spacing to surfaces less than 15" above the cooktop and adjacent cabinet is recommended to reduce exposure to steam, grease splatter and heat.

**INSTALLATION INFORMATION:** Before installing, consult installation instructions for current dimensional data and additional requirements

KW RATING	
240V	16.0
208V	12.0
BREAKER SIZE	
240V	40 Amps <sup>†</sup>
208V	40 Amps <sup>†</sup>

<sup>†</sup>**NOTE:** Check local codes for required breaker size.



For answers to your Monogram, GE Café™ Series, GE Profile™ Series or GE Appliances product questions, visit our website at [geappliances.com](http://geappliances.com) or call GE Answer Center® Service, 800.626.2000.



All GE ranges are equipped with an Anti-Tip device. The installation of this device is an important, required step in the installation of the range.



Specification Revised 9/17

# CHS985SELSS

## GE Cafe™ Series 30" Slide-In Front Control Induction and Convection Range with Warming Drawer

### FEATURES AND BENEFITS

Induction cooktop technology - Innovative, fast, efficient cooking

11" 3700-watt induction element - Powerful enough to boil a quart of water in 101 seconds yet gentle enough for delicate sauces

Precision cooking probe - Confidently cook delicate sauces, fondues and cheeses to their exact temperatures

LED backlit knobs - An already sleek cooktop is enhanced by the impressive look of these knobs

Wifi Connect - Wirelessly control oven functions from your smartphone

Chef Connect - Three options with a single touch. For instant convenience, choose when to automatically sync clocks and the range elements with the microwave's surface light and vent

Two 8" 2500-watt synchronized elements - Control two 8" elements simultaneously to evenly heat large cookware or griddles

Smooth-glide warming drawer - Perfectly warm crispy chips and breads or keep side dishes warm until dinner is served

True European Convection with Precise Air - Accurate heat circulation ensures evenly baked foods

Self-clean, heavy-duty oven racks - Long-lasting racks look great and can be cleaned at the same time as the oven

Model CHS985SELSS - Stainless steel

### GUARANTEED FIT

Replace your old 30" free-standing range with a new 30" slide-in model. GE slide-in ranges are guaranteed for an exact fit to make replacement easy

Visit [geappliances.com](http://geappliances.com) for more info

