

C2S995SELSS

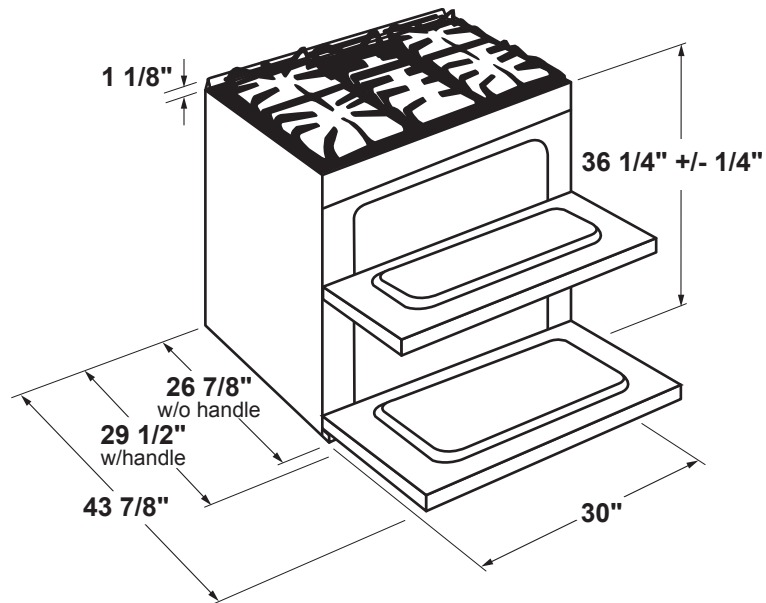
GE Café™ Series 30" Slide-In Front Control Dual-Fuel Double Oven with Convection Range

DIMENSIONS AND INSTALLATION INFORMATION (IN INCHES)

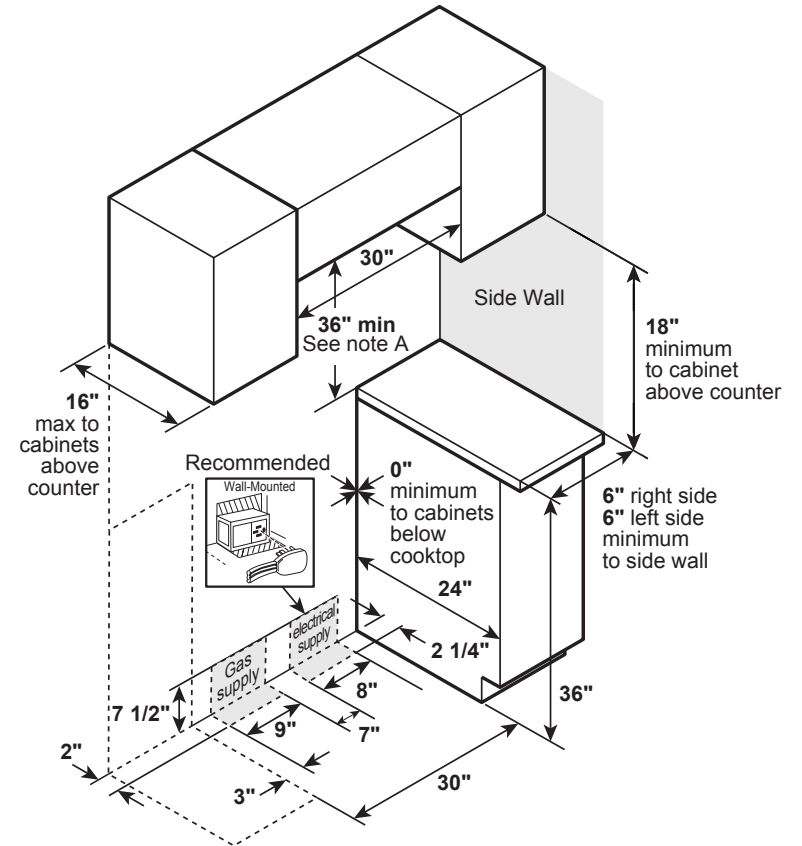
ELECTRICAL REQUIREMENTS: 240v/208v; 60Hz, 30A

INSTALLATION INFORMATION: Before installing, consult installation instructions packed with product for current dimensional data.

For all installations, install the required rear trim to back of range with 4 screws provided.



GAS PIPE AND ELECTRICAL OUTLET LOCATIONS



Note A: 36" Minimum to bare cabinet, see installation instructions heights less than 36"



For answers to your Monogram, GE Café™ Series, GE Profile™ Series or GE Appliances product questions, visit our website at geappliances.com or call GE Answer Center® Service, 800.626.2000.



All GE Appliances ranges are equipped with an Anti-Tip device. The installation of this device is an important, required step in the installation of the range.

C2S995SELSS

GE Café™ Series 30" Slide-In Front Control Dual-Fuel Double Oven with Convection Range

FEATURES AND BENEFITS

Edge-to-edge, six burner cooktop – A full range of burner options give you everything you need to cook like a pro

Cast iron integrated griddle – From grilled cheese to pancakes to quesadillas, do it all right on the cooktop

21,000 BTU Tri-ring burner – Versatile burner creates intense heat perfect for searing, frying and sautéing

15,000 BTU Power Boil burner – Delivers high heat for faster boiling

Electronic ignition with auto reignition – Ensures a continuous flame and reignites automatically if accidentally extinguished

Wi-fi Connect – Wirelessly control oven functions from your smartphone

Chef Connect – Three options with a single touch. For instant convenience, choose when to automatically sync clocks and the range elements with the microwave's surface light and vent

Self-clean, heavy-duty roller rack – Easily access items with racks that glide smoothly

Temperature Probe – Internal probe allows monitoring of roasts and meats to assure they are thoroughly and accurately cooked without opening the oven door

True European Convection with Precise Air – Accurate heat circulation ensures evenly baked foods

Hidden bake oven interior – Make cleanup easy by eliminating hard-to-reach areas

7.0 cu. ft. total double oven capacity – An upper everyday oven preheats quickly while the larger lower oven is perfect for dinner parties and large meals

Self-clean with Steam Clean option – Clean your oven the way you want

Model C2S995SELSS – Stainless steel



GUARANTEED FIT

Replace your old 30" free-standing range with a new 30" slide-in model. GE slide-in ranges are guaranteed for an exact fit to make replacement easy

Visit geappliances.com for more info

