

# PHS930BL/SL/FL/BM

## GE Profile™ Series 30" Slide-In Front Control Induction and Convection Range

### DIMENSIONS AND INSTALLATION INFORMATION (IN INCHES)

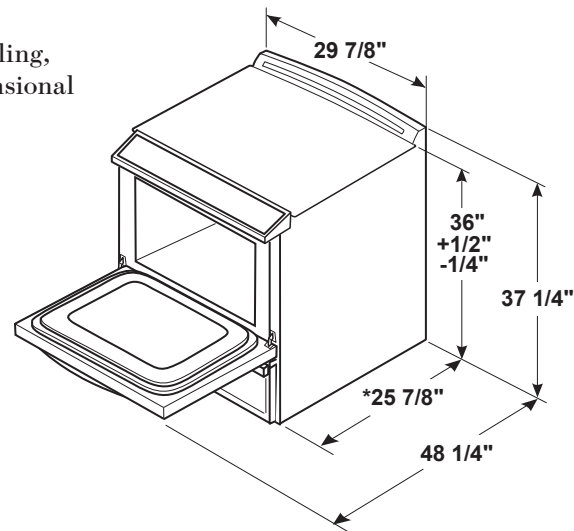
**RECEPTACLE LOCATIONS:** Locally approved flexible service cord or conduit must be used because terminals are not accessible after range installation. See shaded area in drawing for location of electrical outlet box. Recommended outlet locations allow range to be installed directly against rear wall.

**NOTE:** This appliance has been approved for 0" spacing to adjacent surfaces above the cooktop. However, a 6" minimum spacing to surfaces less than 15" above the cooktop and adjacent cabinet is recommended to reduce exposure to steam, grease splatter and heat.

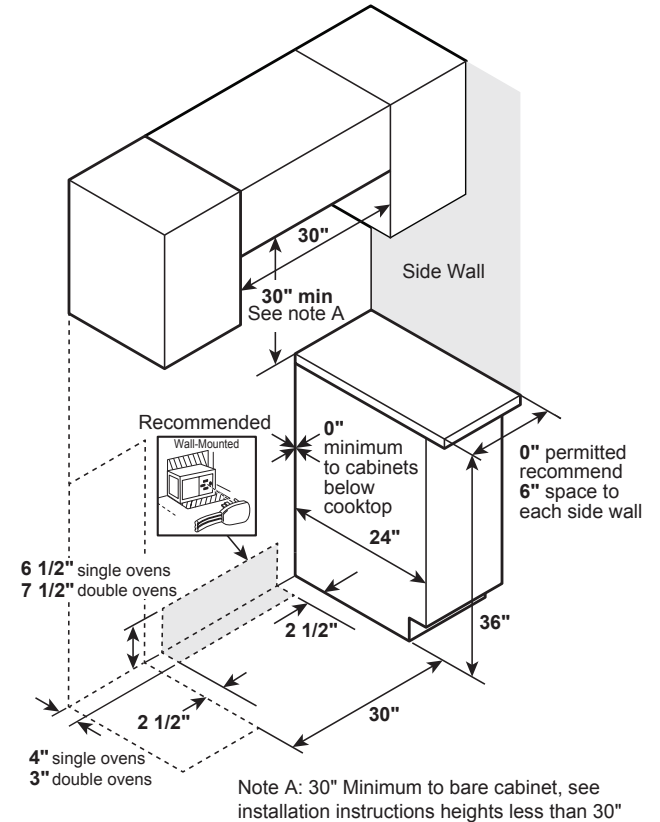
**INSTALLATION INFORMATION:** Before installing, consult installation instructions for current dimensional data and additional requirements

KW RATING	
240V	12.5
208V	10.4
BREAKER SIZE	
240V	40 Amps <sup>†</sup>
208V	40 Amps <sup>†</sup>

<sup>†</sup>**NOTE:** Check local codes for required breaker size.



\*Depth including door handle is approximately 28 1/4".



For answers to your Monogram, GE Café™ Series, GE Profile™ Series or GE Appliances product questions, visit our website at [geappliances.com](http://geappliances.com) or call GE Answer Center® Service, 800.626.2000.



All GE Appliances ranges are equipped with an Anti-Tip device. The installation of this device is an important, required step in the installation of the range.



Specification Revised 6/18

# PHS930BL/SL/FL/BM

## *GE Profile™ Series 30" Slide-In Front Control Induction and Convection Range*

### **FEATURES AND BENEFITS**

Induction cooktop technology – Innovative, fast, efficient cooking

Glide touch controls – Precisely control element temperature with just the swipe of a finger

11" 3700-watt induction element – Powerful enough to boil a quart of water in 101 seconds yet gentle enough for delicate sauces

Two 8" 2500-watt synchronized elements – Control two 8" elements simultaneously to evenly heat large cookware or griddles

Wi-fi Connect – Wirelessly control oven functions from your smartphone

Chef Connect – Three options with a single touch. For instant convenience, choose when to automatically sync clocks and the range elements with the microwave's surface light and vent

Self-clean, heavy-duty oven racks – Long-lasting racks look great and can be cleaned at the same time as the oven

True European Convection with Precise Air – Accurate heat circulation ensures evenly baked foods

Soft-close storage drawer – Drawer closes silently and softly with just a touch

Fast preheat – Make hot meals in a hurry with less time preheating

Model PHS930BLTS – Black stainless

Model PHS930SLSS – Stainless steel

Model PHS930FLDS – Black slate

Model PHP9030BMTS – Black Stainless

### **GUARANTEED FIT**

Replace your old 30" free-standing range with a new 30" slide-in model.

GE slide-in ranges are guaranteed for an exact fit to make replacement easy

Visit [geappliances.com](http://geappliances.com) for more info

