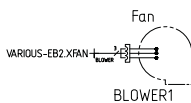
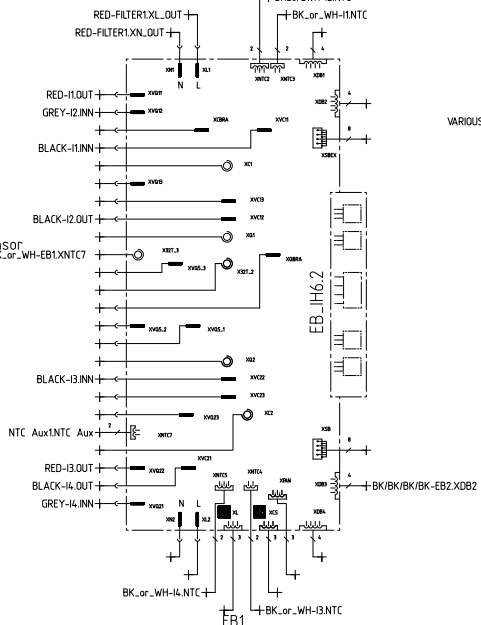
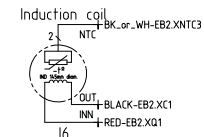
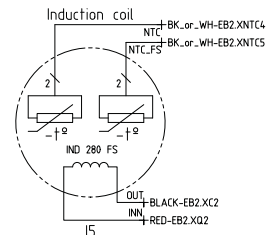
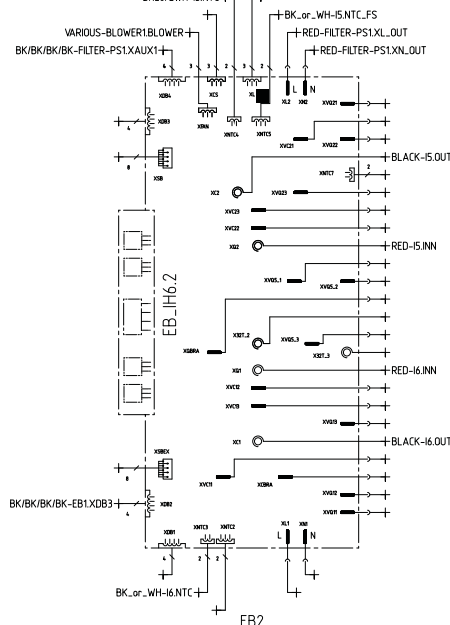


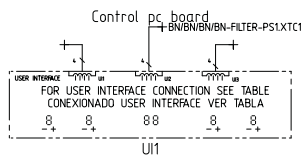
Electronic power unit



Electronic power unit



USER INTERFACE CONNECTION PORTS / PUERTOS DE CONEXIÓN DEL USER INTERFACE			
PORT NAME / NOMBRE PUERTO	UI1	UI2	UI3
YL230	-	X32	-
YL231	-	X14.1	-
YL238	-	X32	-



INDUCTOR	NTC_FS CONNECTION ONLY FOR FRYING SENSOR FUNCTION			
	ELECTRONIC BOARD EB1 XNTC2	ELECTRONIC BOARD EB1 XNTC5	ELECTRONIC BOARD EB2 XNTC2	ELECTRONIC BOARD EB2 XNTC5
I5	-	-	-	X

COLOURS IEC 60757			
Blue / Azul	BU	Orange / Naranja	O6
Brown / Marrón	BN	Pink / Rosa	PK
Black / Negro	BK	Turquoise / Turquesa	TQ
White / Blanco	WH	Grey / Gris	GY
Red / Rojo	RD	Violet / Violeta	VT
Green / Verde	GN	Gold / Oro	GD
Yellow / Amarillo	YE	Silver / Plata	SR
Green-Yellow / Verde-Amarillo		GN YE	

I5 and I6 inductor connection can also be made exchanging the wire that is connected to the other terminal of the inverter. (That is between XC1-XQ1 and between XQ2-XC2)