

27" Speed Oven

800 Series – Stainless Steel HMC87152UC



BOSCH
Invented for life



HMC87152UC
Stainless Steel

The speed oven pairs the cooking qualities of a conventional oven with the speed of microwave technology.

Features & Benefits

SpeedChef® cooking cycles offer faster cooking times for your convenience.

Flush install matches Bosch wall oven, steam oven, or warming drawer.

2-in-1 microwave and convection oven for a variety of cooking options.

Electrical connection – 120 Volt NEMA 5-20 three prong plug.

LED lights

General Properties

Cavity material Stainless steel

Max. microwave power (W) 1,000 W

Capacity

Cavity capacity (cu. ft.) 1.6

Turntable diameter (in.) 14 1/8"

Technical Details

Watts (W) 1,920 W

Circuit breaker (A) 20 A

Volts (V) 120 V

Frequency (Hz) 60 Hz

Power cord length (in) 43"

Plug type NEMA 5-20 – 3 prong plug

Dimensions & Weight

Overall appliance dimensions (HxWxD) (in) 19 5/8" x 26 3/4" x 22 3/8"

Required cutout size (HxWxD) (in) (Standard) 19 1/4" x 25 1/2" x 22"
(Flush) 20 1/8" x 27" x 23 1/2"

Oven overall interior dimensions (HxWxD) (in.) 9 7/8" x 16 1/2" x 16 1/2"

Turntable – Metal Max. Cookware 12 3/4" dia.

Turntable – Ceramic Max. Cookware 12 1/2" dia.

Rack – Rectangular Cookware Max. 15" x 12"

Net weight (lbs) 87 lbs

Accessories—Included

Included Metal turntable, cooking rack, ceramic cooking tray



Accessories: To purchase Bosch accessories, cleaners & parts please visit www.bosch-home.com/us/store or call 1-800-944-2904 (Mon to Fri 5 am to 6 pm PST, Sat 6 am to 3 pm PST).

Notes: All height, width and depth dimensions are shown in inches. BSH reserves the absolute and unrestricted right to change product materials and specifications, at any time, without notice. Consult the product's installation instructions for final dimensional data and other details prior to making cutout.

Warranties: Please see Use & Care manual or Bosch website for statement of limited warranty.

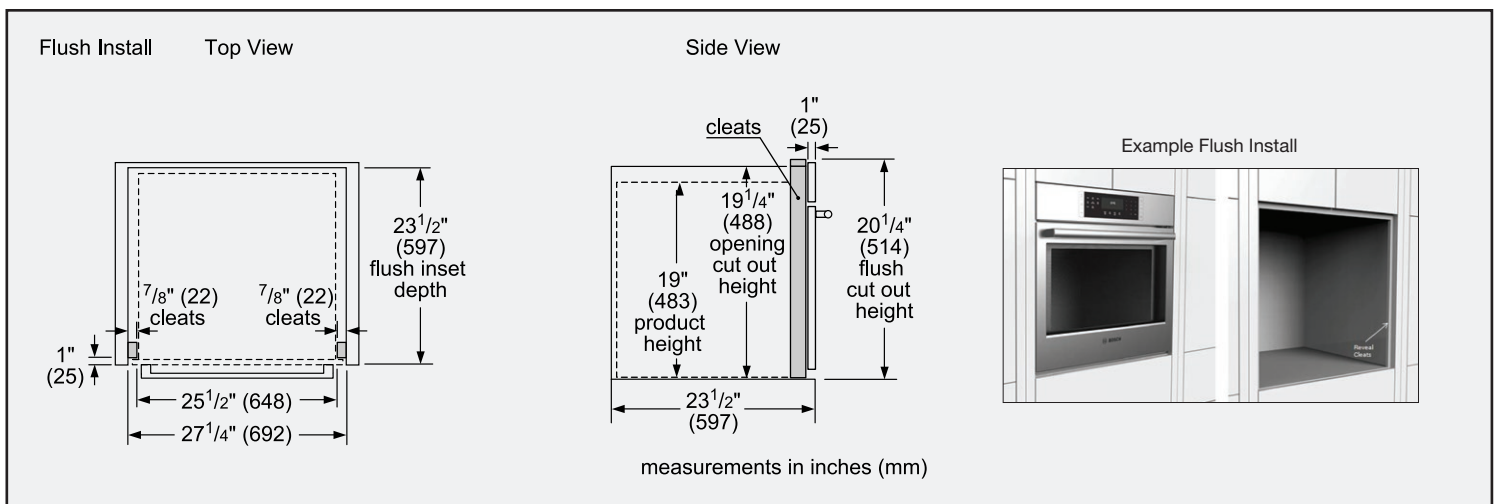
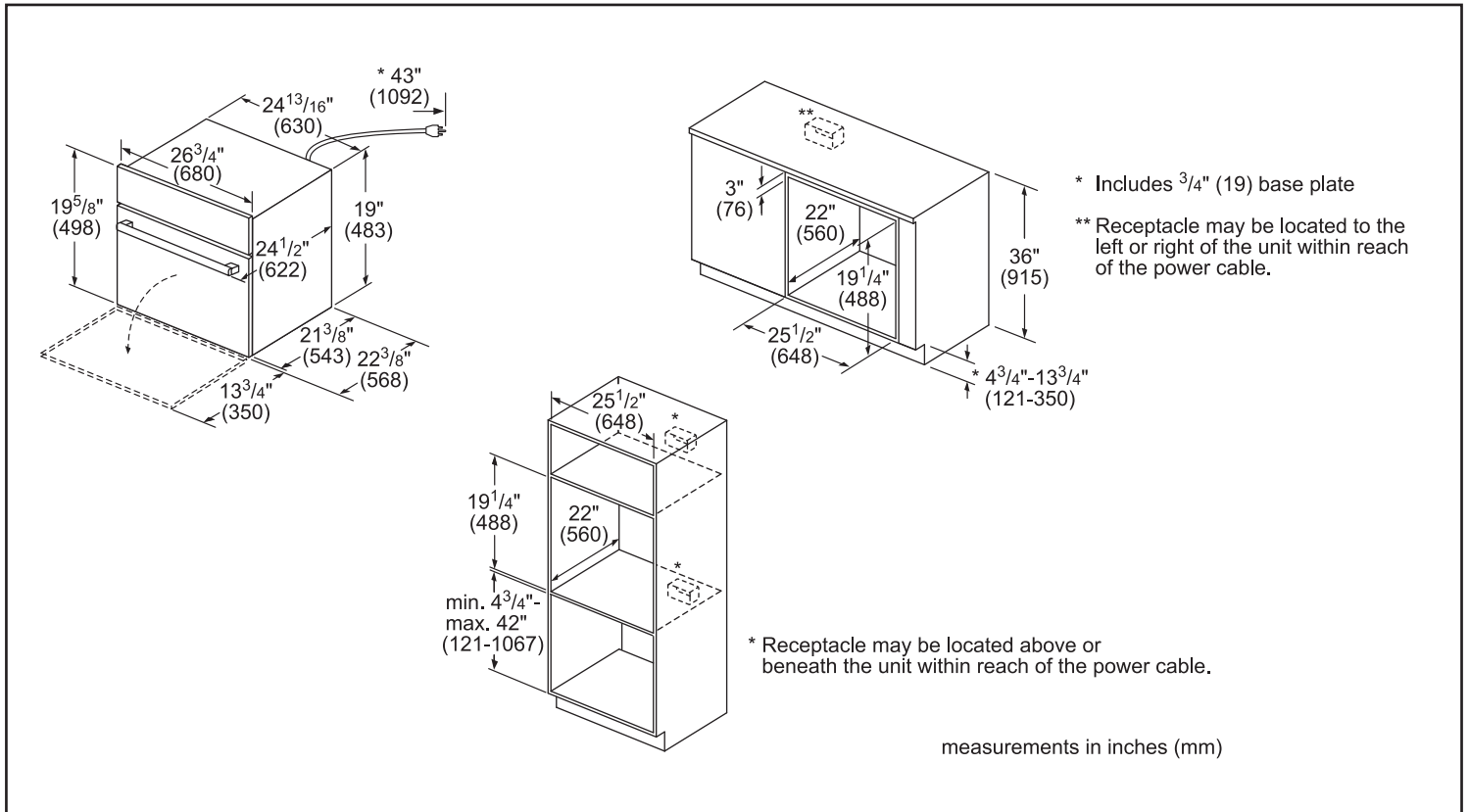
For more information on our entire line of products, go to www.bosch-home.com/us or call 1-800-944-2904

© BSH Home Appliances Corporation. All rights reserved. Bosch is a registered trademark of Robert Bosch GmbH.

27" Speed Oven

800 Series – Stainless Steel HMC87152UC

Installation Details



Accessories: To purchase Bosch accessories, cleaners & parts please visit www.bosch-home.com/us/store or call 1-800-944-2904 (Mon to Fri 5 am to 6 pm PST, Sat 6 am to 3 pm PST).

Notes: All height, width and depth dimensions are shown in inches. BSH reserves the absolute and unrestricted right to change product materials and specifications, at any time, without notice. Consult the product's installation instructions for final dimensional data and other details prior to making cutout.

Warranties: Please see Use & Care manual or Bosch website for statement of limited warranty.

For more information on our entire line of products, go to www.bosch-home.com/us or call 1-800-944-2904

© BSH Home Appliances Corporation. All rights reserved. Bosch is a registered trademark of Robert Bosch GmbH.

27" Speed Oven

800 Series – Stainless Steel HMC87152UC



BOSCH
Invented for life

Installation Details

Standard

1 3/4" (44mm)

Side-by-Side Installation

NOTE: Horizontal installation of a 27" oven next to a 27" speed oven with warming drawer is possible, but the speed oven and warming drawer require either two cutouts or one cutout with a shelf support in between.

The ovens will overlap the cutout resulting in a 1/2" (13mm) spacing between the products

IMPORTANT: The spacing between cutouts applies when installing any Bosch 30" or 27" single, double, combination and 27"/30" compact oven in a side-by-side installation.

Flush

1/2" (13mm)

Standard Installation Over Single Oven

* Junction box may be located above or next to the unit within reach of the power cord.

** Junction box may be located below (depending on space) or next to the unit within reach of the power cord.

Minimum dimension between cut outs:

- 1" (25 mm) for wall oven cut out height of 28 5/8"
- 2 5/8" (67 mm) for wall oven cut out height of 27"

measurements in inches (mm)

Flush Installation Over Single Oven

Side View

Speed Oven or Microwave

*** Flush installation requires a base plate underneath the body: 27" Products – Dimensions: H 5 1/16" (8) x W 25 1/2" (648) x D 22 1/2" (571)

minimum 1/2" (13) required between cutouts*

Wall Oven

*IMPORTANT: Base has to be able to support oven weight. Please check oven manual for minimum weight requirements.

measurements in inches (mm)

Accessories: To purchase Bosch accessories, cleaners & parts please visit www.bosch-home.com/us/store or call 1-800-944-2904 (Mon to Fri 5 am to 6 pm PST, Sat 6 am to 3 pm PST).

Notes: All height, width and depth dimensions are shown in inches. BSH reserves the absolute and unrestricted right to change product materials and specifications, at any time, without notice. Consult the product's installation instructions for final dimensional data and other details prior to making cutout.

Warranties: Please see Use & Care manual or Bosch website for statement of limited warranty.

For more information on our entire line of products, go to www.bosch-home.com/us or call 1-800-944-2904

© BSH Home Appliances Corporation. All rights reserved. Bosch is a registered trademark of Robert Bosch GmbH.