



15" Marvel Low Profile ADA Height Crescent Ice Maker

Model # MA15CRS1XS

2x more ice production than before!

Performance

- Now produces up to 25 lbs of crescent ice per day
- Minimizes water usage, only 3 gallons average daily rate
- Daily ice production rate nearly 4x greater than standard household ice maker
- Crescent ice cube dimensions: 1/2" W x 3/4" H x 2 1/4" L

Storage Capabilities

- Stores 25 lbs of crescent ice
- Removable ice bin for convenient access and easier cleaning

Additional Convenience

- No pump or drain required
- Field reversible door for added flexibility
- On/Off switch within quick reach at the front of the unit
- Four 1" leveling legs are independently adjustable for precise built-in installation
- Black toe kick adjustable up to 4" with leveling legs
- 1-year parts and labor warranty, 5-year sealed system parts warranty



Ordering Options

Solid Stainless Steel Door, Field Reversible Door,
Stainless Designer Handle

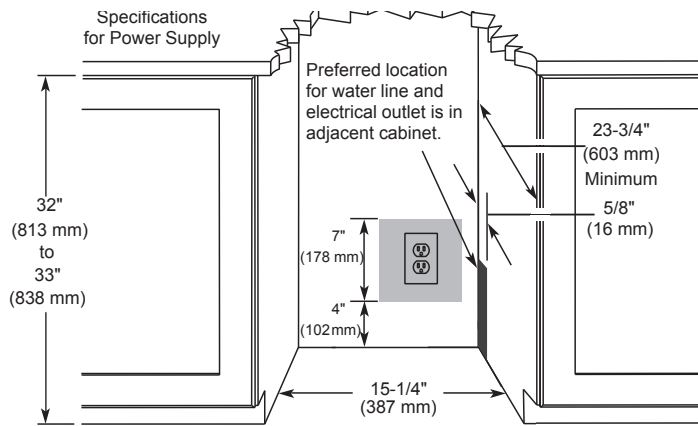
MA15CRS1XS

Finish Options



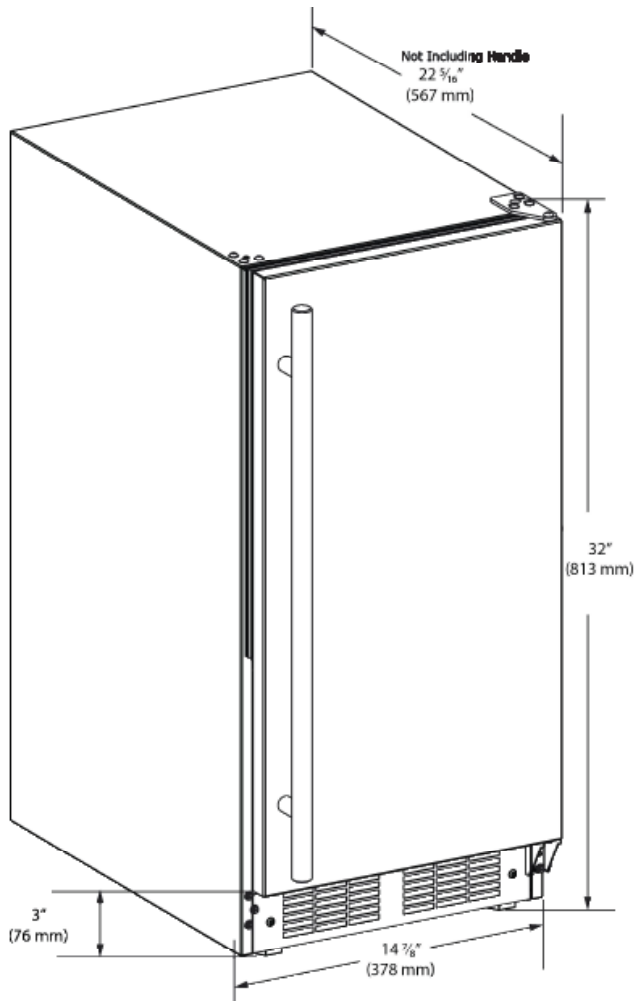
Stainless Steel





Rough-In Dimensions

Rough-In Width	15 1/4"
Rough-In Height	32" to 33"
Rough-In Depth	23 3/4"



Product Dimensions

Width	14 7/8"
Height	32" to 33"
Depth of Cabinet	20 3/4"
Depth to Front of Door	22 5/16"
Depth to Handle	23 13/16"
Depth with door at 90°	35 13/16"

Product Features

Interior Cabinet Finish	White
Capacity	Up to 25 lbs of crescent ice
Shelving System	NA
Shelf Fronts	NA
Other Storage	Ice Bin
Interior Lighting	NA
Toe Grill Finish	Black
Hinge	Classic Hinge
Handle	Slim Designer Handle
Control Type	Mechanical Switch
Temperature Range	NA
Lock	No
Electrical Requirements	115V / 60Hz / 15A
Length of Power Cord	6'
Product Weight	84 lbs
Shipping Weight	90 lbs
Finishes	Stainless Steel
Vacation Mode	No
Agency Approvals	UL

For comprehensive installation instructions, please visit www.marvelrefrigeration.com to access the owner's guide.

Rev B 2/6/19