

FISHER & PAYKEL

OVER THE RANGE CONVECTION MICROWAVE OVEN

CMOH30SS model

FOUR MICRO-ONDES À CONVECTION EN SURPLOMB DE CUISINIÈRE

Modèle CMOH30SS

**USER GUIDE
GUIDE D'UTILISATION**

US CA



A MESSAGE TO OUR CUSTOMERS

Thank you for selecting this Over the Range Convection Microwave Oven. Because of this appliance's unique features we have developed this Use and Care Guide. It contains valuable information on how to properly operate and maintain your new appliance for years of safe and enjoyable cooking.

To help serve you better, fill out and submit your Product Registration by visiting our website: www.fisherpaykel.com and selecting 'PRODUCT REGISTRATION'

In addition, keep this guide handy, as it will help answer questions that may arise as you use your new appliance.

For your convenience, product questions can be answered by a Customer Care Representative at 1-888-936-7872, or email: usa.customercare@fisherpaykel.com

NOTE: Write the Model and Serial Numbers on this page for references (can be found on bottom left corner of the cavity face).

MODEL NUMBER _____ SERIAL NUMBER _____

NOTE: Inspect the product to verify that there is no shipping damage. If any damage is detected, call the shipper and initiate a damage claim. Fisher & Paykel is not responsible for shipping damage.

DO NOT discard any packing material (box, pallet, straps) until the unit has been inspected.

PRECAUTIONS TO AVOID POSSIBLE EXPOSURE TO EXCESSIVE MICROWAVE ENERGY

- ***Do not attempt to operate this microwave oven with the door open since open-door operation can result in harmful exposure to microwave energy. It is important not to defeat or tamper with the safety interlocks.***
- ***Do not place any object between the microwave oven front face and the door or allow soil or cleaner residue to accumulate on sealing surfaces.***
- ***Do not operate the microwave oven if it is damaged. It is particularly important that the microwave oven door close properly and that there is no damage to the: (1) door (bent), (2) hinges and latches (broken or loosened), (3) door seals and sealing surfaces.***
- ***The microwave oven should not be adjusted or repaired by anyone except properly qualified service personnel.***

RETAIN THIS MANUAL FOR FUTURE REFERENCE.

CONTENTS

A Message to Our Customers.....	2	Broil.....	23
Precautions to Avoid Possible Exposure to Excessive Microwave Energy.....	2	Slow Cook.....	24
Important Safety Instructions.....	4	Automatic Mix Cooking	24
Unpacking and Examining Your Oven.....	6	To Cook with Automatic Mix	24
Grounding Instructions.....	6	To Preheat and Cook with Automatic Mix	24
Information You Need to Know.....	7	Convection Automatic Mix Features.....	25
About Your Microwave Oven	7	Auto Broil	25
About Microwave Cooking	7	Auto Broil Chart.....	25
About Utensils and Coverings	8	Auto Roast.....	26
About Children and the Microwave.....	10	Auto Roast Chart.....	26
About Food.....	10	Auto Bake	27
About Safety.....	11	Auto Bake Chart	27
Part Names.....	12	Other Convenient Features.....	28
Before Operating	14	Multiple Sequence Cooking	28
To Set the Clock	14	More or Less Time Adjustment	28
Stop/Clear	14	Extra Minute	28
Manual Microwave Operation	15	Help (Display Indicator).....	28
Turntable On/Off	15	Help Menu.....	29
Fan / Light	15	Start	30
Time Cooking -Microwave.....	15	Kitchen Timer	30
Keep Warm.....	16	Demonstration Mode.....	30
To Set Power Level	16	Cleaning and Care.....	31
Microwave Features.....	17	Exterior	31
Defrost.....	17	Door.....	31
Defrost Chart.....	17	Touch Control Panel	31
Manual Defrost.....	18	Interior - After Microwave Cooking.....	31
Sensor Cooking.....	18	Interior - After Convection, Mix or Broil Cooking.....	31
Sensors	19	Waveguide Cover	31
Sensor Reheat.....	19	Odor Removal.....	31
Popcorn.....	19	Turntable/Turntable Support.....	31
Sensor Chart.....	20	Oven Racks.....	32
Sensor Cook.....	21	Grease Filters.....	32
Sensor Cook Chart.....	21	Fan.....	32
Sensor Cook Recipes	22	Light	32
Manual Convection and Automatic Mix Operation.....	23	Oven Light.....	33
Convection Cooking.....	23	Charcoal Filter	34
To Cook with Convection.....	23	Service Call Check	35
To Preheat and Cook with Convection	23	Specifications.....	36
		Warranty	37

INTERACTIVE COOKING SYSTEM

The Interactive Cooking System offers step-by-step instructions in the display for using the oven, from setting the clock to programming each feature. It also includes Help Menu for instructions on using Safety Lock, Audible Signal Elimination, Start and Help. There is a choice of English, Spanish or French and a choice of U.S. Customary Unit-pound or Metric-kilograms. Touch HELP MENU and follow the directions displayed or check page 29.

IMPORTANT SAFETY INSTRUCTIONS

When using electrical appliances basic safety precautions should be followed, including the following:

WARNING - To reduce the risk of burns, electric shock, fire, injury to persons or exposure to excessive microwave energy:

1. Read all instructions before using the appliance.
2. Read and follow the specific 'PRECAUTIONS TO AVOID POSSIBLE EXPOSURE TO EXCESSIVE MICROWAVE ENERGY' on page 2.
3. This appliance must be grounded. Connect only to properly grounded outlet. See 'GROUNDING INSTRUCTIONS' on page 6 and INSTALLATION INSTRUCTIONS.
4. Install or locate this appliance only in accordance with the provided installation instructions.
5. Some products such as whole eggs and sealed containers—for example, closed glass jars—are able to explode and should not be heated in this microwave oven.
6. Use this appliance only for its intended use as described in this manual. Do not use corrosive chemicals or vapors in this appliance. This type of microwave oven is specifically designed to heat, cook or dry food. It is not designed for industrial or laboratory use.
7. As with any appliance, close supervision is necessary when used by children.
8. Do not operate this appliance if it has a damaged cord or plug, if it is not working properly or if it has been damaged or dropped.
9. This appliance should be serviced only by qualified service personnel.
10. Do not cover or block any openings on the appliance.
11. Do not store or use this appliance outdoors. Do not use this product near water—for example, near a kitchen sink, in a wet basement or near a swimming pool, or similar locations.
12. Do not immerse cord or plug in water.
13. Keep cord away from heated surfaces.
14. Do not let cord hang over edge of table or counter.
15. See door surface cleaning instructions on page 31.
16. To reduce the risk of fire in the microwave oven cavity:
 - a. Do not overcook food. Carefully attend to appliance when paper, plastic or other combustible materials are placed inside the microwave oven to facilitate cooking.
 - b. Remove wire twist-ties from paper or plastic bags before placing bag in microwave oven.
 - c. If materials inside the microwave oven ignite, keep microwave oven door closed, turn microwave oven off and disconnect the power cord or shut off power at the fuse or circuit breaker panel.
 - d. Do not use the cavity for storage purposes. Do not leave paper products, cooking utensils or food in the cavity when not in use.

IMPORTANT SAFETY INSTRUCTIONS

17. Liquids, such as water, coffee or tea are able to be overheated beyond the boiling point without appearing to be boiling. Visible bubbling or boiling when the container is removed from the microwave oven is not always present. THIS COULD RESULT IN VERY HOT LIQUIDS SUDDENLY BOILING OVER WHEN A SPOON OR OTHER UTENSIL IS INSERTED INTO THE LIQUID.

To reduce the risk of injury to persons:

- a. Do not overheat the liquid.
 - b. Stir the liquid both before and halfway through heating it.
 - c. Do not use straight-sided containers with narrow necks. Use a wide-mouthed container.
 - d. After heating, allow the container to stand in the microwave oven at least for 20 seconds before removing the container.
 - e. Use extreme care when inserting a spoon or other utensil into the container.
18. Clean ventilation openings and grease filters frequently—grease should not be allowed to accumulate on ventilation openings, hood (louver) or grease filters.
19. Use care when cleaning the louver and the grease filters. Corrosive cleaning agents, such as lye-based oven cleaners, may damage the louver and the grease filters.
20. When flaming food under the hood, turn the fan on.
21. This appliance is suitable for use above both gas and electric cooking equipment 36" wide or less.

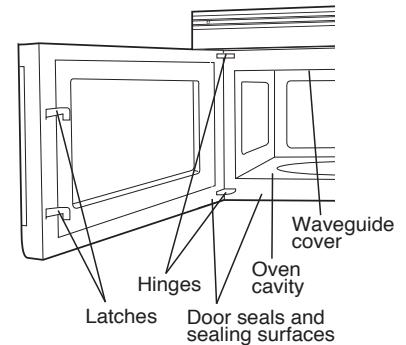
SAVE THESE INSTRUCTIONS

UNPACKING AND EXAMINING YOUR OVEN

Carefully remove microwave oven from carton. **SAVE THE CARTON AS IT MAY MAKE INSTALLATION EASIER.**

Remove:

1. All packing materials from inside the microwave oven cavity; however, **DO NOT REMOVE THE WAVEGUIDE COVER**, which is located on the ceiling in the microwave oven cavity. Check to see that there are Installation Instructions, Wall Template and Top Template. Read enclosures and **SAVE** the Use and Care Guide.
2. The feature sticker from the outside of the door, if there is one.



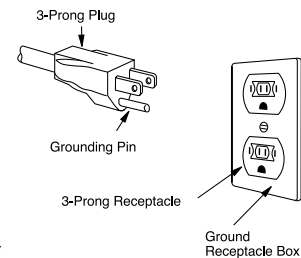
Check the microwave oven for any damage, such as misaligned or bent door, damaged door seals and sealing surfaces, broken or loose door hinges and latches and dents inside the cavity or on the door. If there is any damage, do not operate the microwave oven and contact your dealer or Fisher & Paykel **AUTHORIZED SERVICER**.

See Installation Instructions for more details.

GROUNDING INSTRUCTIONS

This appliance must be grounded. This microwave oven is equipped with a cord having a grounding wire with a grounding plug. It must be plugged into a wall receptacle that is properly installed and grounded in accordance with the National Electrical Code and local codes and ordinances. In the event of an electrical short circuit, grounding reduces risk of electric shock by providing an escape wire for the electric current.

Warning – Improper use of the grounding plug can result in a risk of electric shock. DO NOT USE AN EXTENSION CORD. If the power supply cord is too short, have a qualified electrician or serviceworker install an outlet near the appliance.



ELECTRICAL REQUIREMENTS

Check Installation Instructions for proper location for the power supply.

The electrical requirements are a 120 volt 60 Hz, AC only, 15 amp. or more protected electrical supply. It is recommended that a separate circuit serving only the microwave oven be provided.

The microwave oven is equipped with a 3-prong grounding plug. It must be plugged into a wall receptacle that is properly installed and grounded. **DO NOT UNDER ANY CIRCUMSTANCES CUT OR REMOVE THE GROUNDING PIN FROM THE PLUG.**

Notes:

1. If you have any questions about the grounding or electrical instructions, consult a qualified electrician or service person.
2. Neither Fisher & Paykel nor the dealer can accept any liability for damage to the microwave oven or personal injury resulting from failure to observe the correct electrical connection procedures.

RADIO OR TV INTERFERENCE

Should there be any interference caused by the microwave oven to your radio or TV, check that the microwave oven is on a different electrical circuit, relocate the radio or TV as far away from the microwave oven as feasible or check position and signal of receiving antenna.

INFORMATION YOU NEED TO KNOW

ABOUT YOUR MICROWAVE OVEN

This Use and Care Guide is valuable: read it carefully and always save it for reference.

NEVER use the microwave oven without the turntable and support nor turn the turntable over so that a large dish could be placed in the microwave oven. The turntable will turn both clockwise and counterclockwise.

ALWAYS have food in the microwave oven when it is on to absorb the microwave energy.

When using the microwave oven at power levels below 100%, you may hear the magnetron cycling on and off.

The fan will automatically start when heat rises from range surface units or burners and when convection, high mix, low mix or the broil settings are used.

Condensation is a normal part of microwave cooking. Room humidity and the moisture in food will influence the amount of moisture that condenses in the microwave oven. Generally, covered foods will not cause as much condensation as uncovered ones. Ventilation openings must not be blocked.

The microwave oven is for food preparation only. It should not be used to dry clothes or newspapers.

Your microwave oven is rated 850 watts by using the IEC Test Procedure. In using recipes or package directions, check food a minute or two before the minimum time and add time accordingly.

ABOUT MICROWAVE COOKING

- Arrange food carefully. Place thickest areas towards outside of dish.
- Watch cooking time. Cook for the shortest amount of time indicated and add more as needed. Food severely overcooked can smoke or ignite.
- Cover foods while cooking. Check recipe or cookbook for suggestions: - paper towels, wax paper, microwave plastic wrap (shouldn't touch food) or a lid. Covers prevent spattering and help foods to cook evenly.
- Shield with small flat pieces of aluminum foil any thin areas of meat or poultry to prevent overcooking before dense, thick areas are cooked thoroughly.
- Stir foods from outside to center of dish once or twice during cooking, if possible.
- Turn foods over once during microwaving to speed cooking of foods such as chicken and hamburgers. Large items like roasts must be turned over at least once.
- Rearrange foods such as meatballs halfway through cooking both from top to bottom and from the center of the dish to the outside.
- Add standing time. Remove food from microwave oven and stir, if possible. Cover for standing time which allows the food to finish cooking without overcooking.
- Check for doneness. Look for signs indicating that cooking temperatures have been reached.

Doneness signs include:

- Food steams throughout, not just at edge.
- Center bottom of dish is very hot to the touch.
- Poultry thigh joints move easily.
- Meat and poultry show no pinkness.
- Fish is opaque and flakes easily with a fork.

INFORMATION YOU NEED TO KNOW

ABOUT UTENSILS AND COVERINGS

It is not necessary to buy all new cookware. Many pieces already in your kitchen can be used successfully in your new microwave convection oven. The chart below will help you decide what utensils and coverings should be used in each mode.

UTENSILS AND COVERINGS	MICROWAVE ONLY	CONVECTION, BROIL, SLOW COOK	HIGH MIX/ROAST LOW MIX/BAKE
Aluminum foil	YES - Small flat pieces of aluminum foil placed smoothly on food can be used to shield areas from cooking or defrosting too quickly. Keep foil at least 1 inch from walls of oven.	YES - For shielding	YES - For shielding
Aluminum containers	YES - Can be used if 3/4 filled with food. Keep 1 inch away from walls and do not cover with lid.	YES - Broil. No cover.	YES - Can be used if 3/4 filled with food. Keep 1 inch away from walls and do not cover with foil.
Browning dish	YES - Do not exceed recommended preheating time. Follow manufacturer's directions.	NO	NO
Glass ceramic (Pyroceram®)	YES - Excellent	YES - Excellent	YES - Excellent
Glass, heat-resistant	YES - Excellent.	YES - Excellent	YES - Excellent
Glass, non-heat-resistant	NO	NO	NO
Lids, glass	YES	YES - Broil. No cover.	YES
Lids, metal	NO	YES - Broil. No cover.	NO
Metal cookware	NO	YES	YES - Do not use metal covering.
Metal, misc.: dishes with metallic trim, screws, bands, handles. Metal twist ties	NO	NO	NO
Oven cooking bags	YES - Good for large meats or foods that need tenderizing. DO NOT use metal twist ties.	YES - Broil. No cover.	YES - Do not use metal twist ties.
Paper plates	YES - For reheating.	NO	NO
Paper towels	YES - To cover for reheating and cooking. Do not use recycled paper towels which may contain metal fillings.	NO	NO
Paper, ovenable	YES	YES - For temperatures up to 400°F. Do not use for broiling.	YES - For temperatures up to 400°F.

INFORMATION YOU NEED TO KNOW

UTENSILS AND COVERINGS	MICROWAVE ONLY	CONVECTION, BROIL, SLOW COOK	HIGH MIX/ROAST LOW MIX/BAKE
Microwave-safe plastic containers	YES - Use for reheating and defrosting. Some microwave-safe plastics are not suitable for cooking foods with high fat and sugar content. Follow manufacturer's directions.	NO	NO
Plastic, Thermoset®	YES	YES - Are heat resistant up to 425°F. Do not use for broiling.	yes
Plastic wrap	YES - Use brands specially marked for microwave use. DO NOT allow plastic wrap to touch food. Vent so steam can escape.	NO	NO
Pottery, porcelain stoneware	YES - Check manufacturer's recommendation for being microwave safe.	YES	YES - Must be microwave safe AND ovenable.
Styrofoam	YES - For reheating	NO	NO
Wax paper	YES - Good covering for cooking and reheating.	NO	NO
Wicker, wood, straw	YES - May be used for short periods of time. Do not use with high fat or high sugar content foods. Could char.	NO	NO

DISH CHECK. If you wish to check if a dish is safe for microwaving, place the empty dish in the microwave oven and microwave on HIGH for 30 seconds. If the dish becomes very hot, DO NOT use it for microwaving.

ACCESSORIES There are many microwave accessories available for purchase. Evaluate carefully before you purchase so that they meet your needs. A microwave-safe thermometer will assist you in determining correct doneness and assure you that foods have been cooked to safe temperatures. Fisher & Paykel is not responsible for any damage to the oven when accessories are used.

INFORMATION YOU NEED TO KNOW

ABOUT CHILDREN AND THE MICROWAVE

Children below the age of 7 should use the microwave oven with a supervising adult very near to them. Between the ages of 7 and 12, the supervising adult should be in the same room.

The child must be able to reach the microwave oven comfortably; if not, he/she should stand on a sturdy stool.

At no time should anyone be allowed to lean or swing on the microwave oven door.

Children should be taught all safety precautions: use potholders, remove coverings carefully, pay special attention to packages of crisp food because they may be extra hot.

Don't assume that because a child has mastered one cooking skill he/she can cook everything.

Children need to learn that the microwave oven is not a toy. See page 29 for Safety Lock feature.

ABOUT FOOD

FOOD	DO	DON'T
Eggs, sausages, nuts, seeds, fruits & vegetables	<ul style="list-style-type: none"> Puncture egg yolks before cooking to prevent 'explosion'. Pierce skins of potatoes, apples, squash, hot dogs and sausages so that steam escapes. 	<ul style="list-style-type: none"> Cook eggs in shells. Reheat whole eggs. Dry nuts or seeds in shells.
Popcorn	<ul style="list-style-type: none"> Use specially bagged popcorn for the microwave oven. Listen while popping corn for the popping to slow to 1 or 2 seconds or use special POPCORN pad. 	<ul style="list-style-type: none"> Pop popcorn in regular brown bags or glass bowls. Exceed maximum time on popcorn package.
Baby food	<ul style="list-style-type: none"> Transfer baby food to small dish and heat carefully, stirring often. Check temperature before serving. Put nipples on bottles after heating and shake thoroughly. 'Wrist' test before feeding. 	<ul style="list-style-type: none"> Heat disposable bottles. Heat bottles with nipples on. Heat baby food in original jars.
General	<ul style="list-style-type: none"> Cut baked goods with filling after heating to release steam and avoid burns. Stir liquids briskly before and after heating to avoid 'eruption'. Use deep bowl, when cooking liquids or cereals, to prevent boilovers. 	<ul style="list-style-type: none"> Heat or cook in closed glass jars or air tight containers. Can in the microwave as harmful bacteria may not be destroyed. Deep fat fry. Dry wood, gourds, herbs or wet papers.

INFORMATION YOU NEED TO KNOW

ABOUT SAFETY

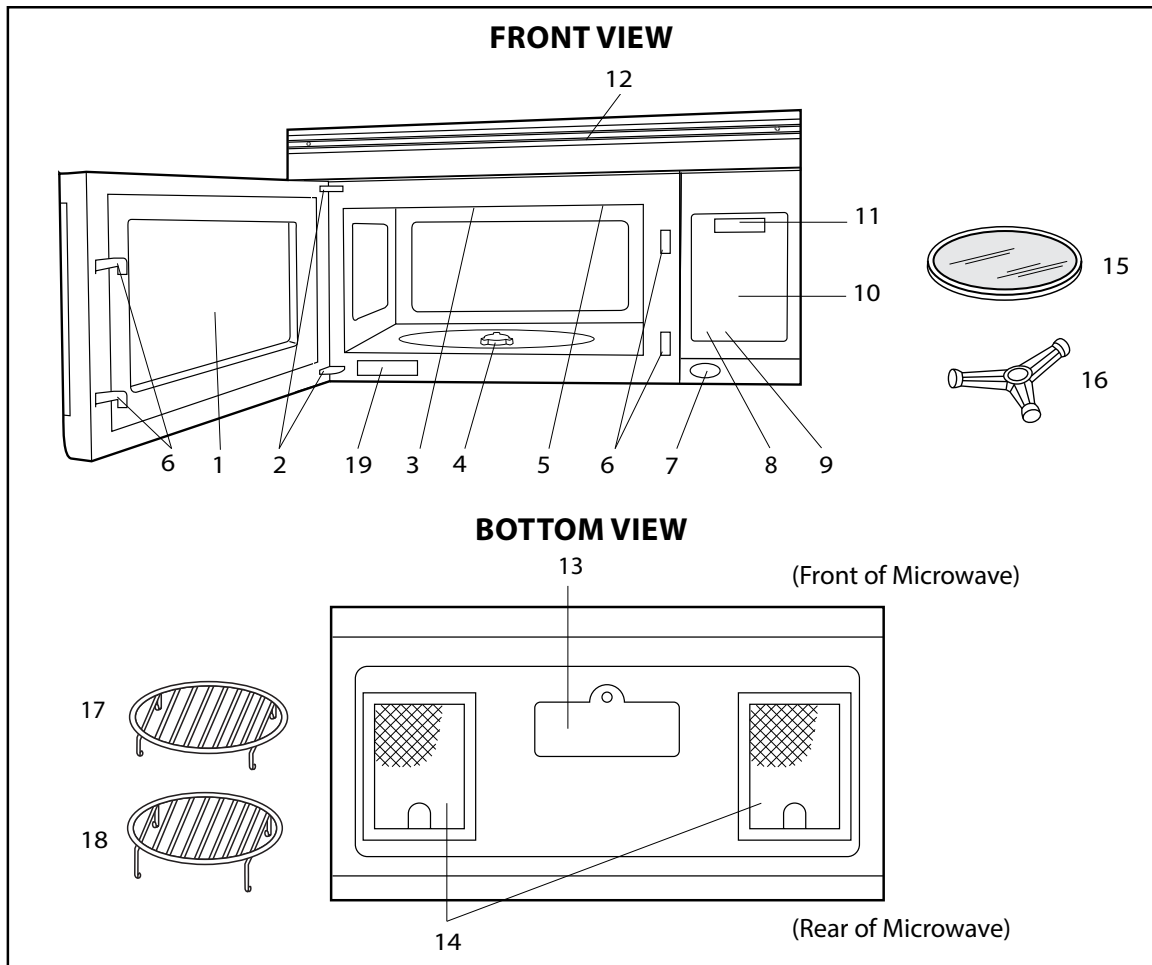
- Check foods to see that they are cooked to the United States Department of Agriculture's recommended temperatures.

TEMP	FOOD
160°F	For fresh pork, ground meat, boneless white poultry, fish, seafood, egg dishes and frozen prepared food.
165°F	For leftover, ready-to-reheat refrigerated, and deli and carry-out 'fresh' food.
170°F	White meat of poultry.
180°F	Dark meat of poultry.

To test for doneness, insert a meat thermometer in a thick or dense area away from fat or bone. NEVER leave the thermometer in the food during cooking, unless it is approved for microwave use.

- **ALWAYS** use potholders to prevent burns when handling utensils that are in contact with hot food. Enough heat from the food can transfer through utensils to cause skin burns.
- Avoid steam burns by directing steam away from the face and hands. Slowly lift the farthest edge of a dish's covering and carefully open popcorn and oven cooking bags away from the face.
- Stay near the oven while it's in use and check cooking progress frequently so that there is no chance of overcooking food.
- **NEVER** use the cavity for storing cookbooks or other items.
- Select, store and handle food carefully to preserve its high quality and minimize the spread of foodborne bacteria.
- Keep waveguide cover clean. Food residue can cause arcing and/or fires.
- Use care when removing items from the oven so that the utensil, your clothes or accessories do not touch the safety door latches.

PART NAMES



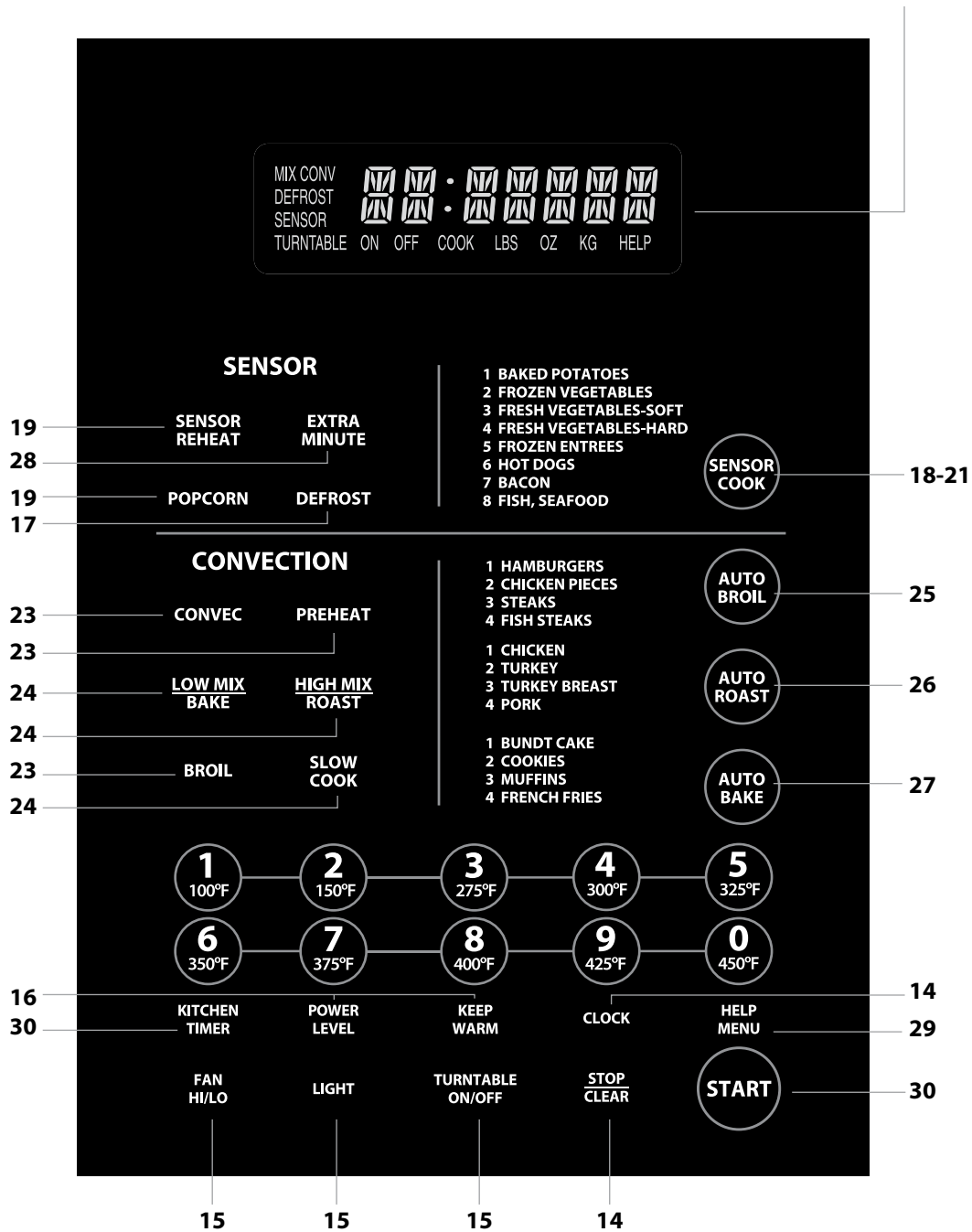
- | | |
|-------------------------------------------------------------------------------------------------------------------------------------------------------------------------------------------------------------------------------------------------------------------------------------------------------------------------------------------------------------------------------------------------------------------------------------------------------------------------------------------------------|-------------------------------------------------------------------------------------------------------------------------------------------------------------------------------------------------------------------------------------------------------------------------------------------------------------------------------------------------------------------------------------------------------------------------------------------------------------------------------------------------------------------------------------------------------------------------------------------------------------------------------------|
| <p>1. Oven door with see-through window.</p> <p>2. Door hinges.</p> <p>3. Waveguide cover
DO NOT REMOVE.</p> <p>4. Turntable motor shaft.</p> <p>5. Oven light.
It will light when oven is operating or door is open.</p> <p>6. Safety door latches.
The oven will not operate unless the door is securely closed.</p> <p>7. One touch DOOR OPEN button.
Push to open door.</p> <p>8. FAN HI / LO button.
Push for high/low/off.</p> <p>9. LIGHT button.
Push for on/off.</p> | <p>10. Auto-Touch control panel.</p> <p>11. Time display: Digital display, 99 minutes 99 seconds.</p> <p>12. Ventilation openings.</p> <p>13. Light cover.</p> <p>14. Grease filters.</p> <p>15. Removable ceramic turntable.
The turntable will rotate clockwise or counterclockwise. Only remove for cleaning.</p> <p>16. Removable turntable support.
Place the turntable support on the floor of the oven cavity and the turntable on the turntable support.</p> <p>17. Removable low rack for broiling and meat and poultry roasting.</p> <p>18. Removable high rack for two level baking.</p> <p>19. Rating label</p> |
|-------------------------------------------------------------------------------------------------------------------------------------------------------------------------------------------------------------------------------------------------------------------------------------------------------------------------------------------------------------------------------------------------------------------------------------------------------------------------------------------------------|-------------------------------------------------------------------------------------------------------------------------------------------------------------------------------------------------------------------------------------------------------------------------------------------------------------------------------------------------------------------------------------------------------------------------------------------------------------------------------------------------------------------------------------------------------------------------------------------------------------------------------------|

PART NAMES

CONTROL PANEL

INTERACTIVE DISPLAY

Words will light in the display to indicate features and cooking instructions.



Number next to the control panel illustration indicates page on which there are feature descriptions and usage information.

BEFORE OPERATING

- Before operating your new microwave oven make sure you read and understand this use and care guide completely.
- Before the microwave oven can be used, follow these procedures:
 1. Plug in the microwave oven. Close the door. The microwave oven display will show *WELCOME PRESS CLEAR AND PRESS CLOCK*.
 2. Touch the STOP/CLEAR pad. : will appear.
 3. Touch CLOCK and follow directions to set.

TO SET THE CLOCK

1. Touch CLOCK pad.
2. Enter the correct time of day by touching the numbers in sequence.
3. Touch CLOCK pad again.

This is a 12 hour clock. If you attempt to enter an incorrect clock time, *ERROR* will appear in the display. Touch the STOP/CLEAR pad and re-enter the time.

- If the electrical power supply to your microwave oven should be interrupted, the display will intermittently show *WELCOME PRESS CLEAR AND PRESS CLOCK* after the power is reinstated. If this occurs during cooking, the program will be erased. The time of day will also be erased. Simply touch STOP/CLEAR pad and reset the clock for the correct time of day.

Note: Your oven can be programmed with the door open except for START, EXTRA MINUTE, SENSOR REHEAT and POPCORN.

STOP/CLEAR

Touch the STOP/CLEAR pad to:

1. Erase if you make a mistake during programming.
2. Cancel KITCHEN TIMER.
3. Stop the microwave oven temporarily during cooking.
4. Return the time of day to the display.
5. Cancel a program during cooking, touch twice.

MANUAL MICROWAVE OPERATION

TURNTABLE ON/OFF

For most cooking, the turntable should be on; however the turntable can be turned off so that it does not rotate when extra large dishes, such as the popular 13"x9"x2" glass utility casserole, are used. The casserole should be placed on the turntable so that it is level.

- Suppose you want to cook lasagna in a 13"x9"x2" casserole for 45 minutes on 40% power.
 1. Touch TURNTABLE ON/OFF pad and note *TURNTABLE OFF* in the display.
 2. Enter cooking time by touching the number pads 4500.
 3. Touch POWER LEVEL pad and the number 4.
 4. Touch START.

Notes:

The door can be opened for checking food and the turntable will stay in the off position. After checking, close door and touch START.

The turntable will stay off for one minute after door is opened when time-of-day appears in the display. It is possible to reprogram the oven during that minute without touching the TURNTABLE ON/OFF pad. The display always indicates whether the turntable is off or on.

THE TURNTABLE SHOULD ALWAYS BE ON WHEN USING THE SPECIAL FEATURES. On/Off function can be used with manual cooking modes and Sensor Reheat. Turntable off condition will automatically change to on condition when you select auto cooking except Sensor Reheat and Auto Bake.

When cooking large quantities of food which cannot be stirred, it is best to use a lower power level such as 40 or 50%. You may speed cooking of large amounts by programming 5 to 10 minutes on 100% power (HIGH) followed by the desired time on lower power. See page 28 for how to program multiple sequences. You may wish to reverse a large casserole once during cooking; simply open door, reposition casserole, close door and touch START.

FAN / LIGHT

Your oven is equipped with a light and a fan which can be used whether the door is open or closed.

To turn the light on, touch the LIGHT pad once. To turn the light off, touch the LIGHT pad again.

To turn the fan on, touch the FAN HI/LO pad once for high speed. To turn the fan to low speed, touch pad twice and touch the pad three times to turn the fan off. When fan is manually turned on, 'H' will be shown on the display. When the fan is turned off, 'H' will disappear from display.

TIME COOKING -MICROWAVE

Your oven can be programmed for 99 minutes 99 seconds (99.99). Always enter the seconds after the minutes, even if they are both zeros.

- Suppose you want to cook for 5 minutes at 100%.
 1. Enter cooking time by touching the number pads 500.
 2. Touch START pad.

MANUAL MICROWAVE OPERATION

KEEP WARM

KEEP WARM can only be programmed with manual cooking or as a separate program.

- Suppose you want to cook a baked potato for 4 minutes at 100% power and you want to keep it warm after cooking for 30 minutes.

1. Touch the desired cook time 400 for 1 baked potato.
2. Touch KEEP WARM pad.
3. Touch START pad.

At the end of cook time, KEEP WARM is displayed warming food until end of 30 minutes.

To use KEEP WARM as a separate program, touch KEEP WARM pad within 1 minute after cooking, closing the door or touching the STOP/CLEAR pad.

TO SET POWER LEVEL

There are eleven preset power levels.

Using lower power levels increases the cooking time which is recommended for foods such as cheese, milk and long slow cooking of meats. Consult cookbook or recipes for specific recommendations.

POWER LEVEL	100%	High
9	90%	
8	80%	
7	70%	Medium High
6	60%	
5	50%	Medium
4	40%	
3	30%	Med Low/Defrost
2	20%	
1	10%	Low
0	0%	

- Suppose you want to defrost for 5 minutes at 30% with the turntable on.

1. Enter defrosting time by touching the number pads 500.
2. Touch POWER LEVEL pad and number 3.
3. Touch START pad.

MICROWAVE FEATURES

DEFROST

DEFROST automatically defrosts ground meat, steaks, chicken pieces.

- Suppose you want to defrost a 2.0 pound steak.

1. Touch DEFROST pad once. Then touch DEFROST pad two more times to select steak.
2. Enter weight by touching the number 20 pads.
3. Touch START pad.

The oven will stop and directions will be displayed. Follow the indicated message.

4. After the 1st stage, open the door. Turn steak over and shield any warm portions. Close the door. Touch START pad.
5. After the 2nd stage, open the door. Shield any warm portions. Close the door. Touch START pad.
6. After defrost cycle ends, cover and let stand as indicated in chart below.

Notes:

1. The weight can be entered in increments of 0.1 lb. If you attempt to enter more or less than the allowed amount as indicated in chart, an error message will appear in the display
2. Defrost can be programmed with More or Less Time Adjustment. See page 28.
3. To defrost other foods or foods above or below the weights allowed on Defrost Chart see Manual Defrost on page 18.

DEFROST CHART

TOUCH DEFROST PAD*	FOOD	AMOUNT	PROCEDURE
Once	Ground Meat	.5 - 3.0 lb.	Remove any thawed pieces after each stage. Let stand, covered, 5 to 10 minutes.
Twice	Steaks (chops, fish)	.5 - 4.0 lb.	After each stage of defrost cycle, rearrange and if there are warm or thawed portions, shield with small flat pieces of aluminum foil. Remove any meat or fish that is nearly defrosted. Let stand, covered, 10 to 20 minutes.
3 times	Chicken pieces	.5 - 3.0 lb.	After each stage of defrost cycle, if there are warm or thawed portions, rearrange or remove. Let stand, covered, 10–20 minutes.

* Number of touches AFTER initial touch to access DEFROST.

Notes:

Check foods when oven signals. After final stage, small sections may still be icy. Let stand to continue thawing. Do not cook until all ice crystals are thawed.

Shielding prevents cooking from occurring before the center of the food is defrosted. Use small smooth strips of aluminum foil to cover edges and thinner sections of the food.

MICROWAVE FEATURES

MANUAL DEFROST

If the food that you wish to defrost is not listed on the Defrost Chart or is above or below the limits in the 'Amount' column on the chart, you need to defrost manually.

You can defrost any frozen food, either raw or previously cooked, by using power level 3. Follow the exact 3-step procedure found under To Set Power Level on page 16. Estimate defrosting time and press number 3 for 30% when you select the power level.

For either raw or previously cooked frozen food, the rule of thumb is approximately 5 minutes per pound. For example, defrost 5 minutes for 2-3 cups of casserole or 1 pound of frozen spaghetti sauce.

Always stop the oven periodically to remove or separate the portions that are defrosted. If food is not defrosted at the end of the estimated defrosting time, program the oven in 1 minute increments on power level 3 until totally defrosted.

When using plastic containers from the freezer, defrost only long enough to remove from the plastic in order to place food in a microwave-safe dish.

SENSOR COOKING

The Sensor is a semi-conductor device that detects the vapor (moisture and humidity) emitted from the food as it heats. The Sensor adjusts the cooking times and power level for various foods and quantities. It takes the guesswork out of microwave cooking.

Using SENSOR Settings:

1. Room temperature should not exceed 95°F.
2. Be sure the exterior of the cooking container and the interior of the oven are dry. Wipe off any moisture with a dry cloth or paper towel.
3. Sensor cooking can only be entered within 1 minute after cooking, opening and closing the door or touching the STOP/CLEAR pad.
4. During the first part of sensor cooking, *SENSOR REHEAT*, *POPCORN REGULAR SENSOR*, *BAKED POTATO*, *FROZEN VEG*, *SOFT FRESH VEG*, *HARD FRESH VEG*, *FROZEN ENTREE*, *HOT DOGS*, *BACON* or *FISH* will appear on display. Do not open oven door or touch STOP/CLEAR during this part of the cooking cycle. The measurement of vapor will be interrupted. If this occurs, *ERROR* will appear and sensor cooking will be interrupted. To continue cooking, touch the STOP/CLEAR pad and select cooking time and power. When sensor detects the vapor emitted from the food, remainder of cooking time will appear. Door may be opened when remaining cooking time appears on display. At this time, you may stir or season food, as desired.
5. Check food for doneness after cooking with sensor settings. If additional time is needed, continue to cook with variable power and time.
6. If the sensor does not detect vapor, *ERROR* will appear and the oven will shut off.
7. At the end of any cycle, open oven door or touch STOP/CLEAR pad. The time of day will reappear on the display.
8. Any sensor setting can be programmed with More or Less Time Adjustment. See page 28.

Selecting Foods:

1. The sensor works with foods at normal storage temperature. For example, foods for reheating would be at refrigerator temperature and potatoes for baking would be room temperature.
2. More or less food than the quantity listed in the charts should be cooked by time and variable power.

MICROWAVE FEATURES

Covering Foods:

Some foods work best when covered. Use the cover recommended in the Sensor Cooking chart for these foods.

1. Casserole lid.
2. Plastic wrap: Use plastic wrap recommended for microwave cooking. Cover dish loosely; allow approximately 1/2 inch to remain uncovered to allow steam to escape. Plastic wrap should not touch food.
3. Paper towel: Use paper towels to absorb excess fat and moisture when cooking bacon and potatoes. Line the turntable when baking potatoes.
4. Wax paper: Cover dish completely; fold excess wrap under dish to secure. If dish is wider than paper, overlap two pieces at least one inch to cover.

SENSORS

Your oven has Popcorn and Sensor Reheat. To use any of the Sensors, simply touch the chosen pad. The microwave oven will start automatically. Any sensor setting can be programmed with More or Less Time Adjustment. See page 28.

SENSOR REHEAT

Turntable on:

You can reheat many foods by touching just one pad. You don't need to calculate reheating time or power level. To reheat food with turntable on, simply touch the SENSOR REHEAT pad.

Touch SENSOR REHEAT pad. (Note : Sensor Reheat can be programmed with turntable on or off). *SENSOR REHEAT* will be displayed repeatedly. When sensor detects the vapor emitted from the food, remainder of cooking time will appear. After cooking, *LET STAND COVER* will be displayed.

Turntable off:

You may reheat using a 11"x8"x2" or 13"x9"x2" casserole with the turntable off. First touch TURNTABLE ON/OFF and note indicator. Then touch SENSOR REHEAT. The display will indicate turntable off and oven will start automatically. After cooking, *LET STAND COVER* will be displayed.

POPCORN

- Suppose you want to pop a 3.5 oz. bag of popcorn.

Touch POPCORN pad once. *SENSOR POPCORN REGULAR* be displayed repeatedly. After cooking, *END* will be displayed.

This sensor setting works well with most brands of microwave popcorn. You may wish to try several and choose your favorite. Pop only one bag at a time. Unfold the bag and place in oven according to directions.

MICROWAVE FEATURES

SENSOR CHART

FOOD	AMOUNT	PROCEDURE
Leftovers such as rice, potatoes, vegetables casserole	4-32 oz.	Place in dish or casserole slightly larger than amount to be reheated. Flatten, if possible. Cover with lid, plastic wrap or wax paper. Use covers such as plastic wrap or lids with larger quantities of more dense foods such as stews.
Soups	1-4 cups	After reheating, stir well, if possible. Foods should be very hot. If not, continue to heat with variable power and time. After stirring, recover and allow to stand 2 to 3 minutes.
Canned entrees and vegetables	4-16 oz.	Use less Time Adjustment by touching POWER LEVEL pad twice for small quantities of canned vegetables.
Dinner Plate 1 plate	3-6 oz. of meat plus vegetables and/or potato/rice	Use this pad to reheat precooked foods from the refrigerator. Place meaty portions and bulky vegetables to outside of plate. Cut large items like baked potatoes in smaller pieces. Flatten foods such as mashed potatoes and other dense foods. Cover with wax paper or plastic wrap. ONE PLATE ONLY. After cooking, check that food is very hot throughout and that the bottom center of the plate is very hot. If not, continue heating using time and power level. Allow to stand, covered, 2 to 3 minutes.
Popcorn	Only 1 package at a time	Use only popcorn packaged for microwave oven use. Try several brands to decide which you like best. Do not try to pop unpoped kernels. More or Less Time Adjustment can be used to provide adjustment needed for older popcorn or individual tastes.
	3.0-3.5 oz. bag (Regular size)	Touch POPCORN pad once. This setting works well with most 3.0-3.5 oz. bags of microwave popcorn.
	1.5-1.75 oz. bag (Snack size)	Touch POPCORN pad twice for snack size bags.

MICROWAVE FEATURES

SENSOR COOK

- Suppose you want to cook a baked potato:
 1. Touch SENSOR COOK pad.
 2. Select desired sensor setting. Example: Touch number pad 1 to cook baked potatoes.
 3. Touch START pad. When sensor detects the vapor emitted from the food, the remainder of cooking time will appear.

Open oven door or touch STOP/CLEAR pad. The time of day will appear in the display.

SENSOR COOK CHART

FOOD	AMOUNT	PROCEDURE
1. BAKED POTATOES	1-6 medium	Pierce. Place on paper-towel-lined turntable. After cooking, remove from oven, wrap in aluminum foil and let stand 5 to 10 minutes.
2. FROZEN VEGETABLES	1-6 cups	Cover with lid or plastic wrap. After cooking, stir and let stand 3 minutes, covered.
3. FRESH VEGETABLES-SOFT		Wash and place in casserole. Add no water if vegetables have just been washed. Cover with lid for tender vegetables. Use plastic wrap for tender-crisp vegetables. Stir before standing, if possible. After cooking, let stand, covered, 2 to 5 minutes.
Broccoli	0.25-2.0 lb.	
Brussels sprouts	0.25-2.0 lb.	
Cabbage	0.25-2.0 lb.	
Cauliflower (flowerets)	0.25-2.0 lb.	
Cauliflower (whole)	1 medium	
Spinach	0.25-1.0 lb.	
Zucchini	0.25-2.0 lb.	
Baked apples	2-4 medium	
4. FRESH VEGETABLES-HARD		Place in casserole. Add 1-4 tbsp. water. Cover with lid for tender vegetables. Use plastic wrap cover for tender-crisp vegetables. Stir before standing, if possible. After cooking, let stand, covered, 2 to 5 minutes.
Carrots, sliced	0.25-1.5 lb.	
Corn on the cob	2-4 pcs	
Green beans	0.25-1.5 lb.	
Winter squash: diced	0.25-1.5 lb.	
halves	1-2	
5. FROZEN ENTREES	6-17 oz.	Use for frozen convenience food. It will give satisfactory results for most brands. You may wish to try several and choose your favorite. Remove package from outer wrapping and follow package directions for covering. After cooking, let stand, covered, for 1 to 3 minutes.
6. HOT DOGS	1-4 servings	Place hot dog in bun and wrap in paper towel or paper napkin.
7. BACON	2-6 slices	Place bacon on paper plate, lined with paper towel. Bacon should not extend over the rim of plate. Cover with paper towel.
8. FISH, SEAFOOD	0.25-2.0 lb.	Arrange in ring around shallow glass dish (roll fillet with edges underneath). Cover with vented plastic wrap. After cooking, let stand, covered, 3 minutes.

MICROWAVE FEATURES

SENSOR COOK RECIPES

Cranberry Fluff

Makes 6 to 8 servings

- 2 cups fresh cranberries
- 1 cup water
- $\frac{3}{4}$ cup sugar
- 1 carton (3 oz.) orange-flavored gelatin
- $\frac{1}{2}$ pint whipping cream, whipped or
- 1 carton (8 oz.) non-dairy whipped topping

1. Combine cranberries, water and sugar in a 2-quart casserole dish. Cover with wax paper. Microwave using SENSOR COOK for FRESH VEGETABLES-SOFT. Drain cranberries and reserve liquid.
2. Add enough hot water to reserved liquid to make 2 cups. Stir gelatin into hot liquid until it dissolves. Cover with wax paper. Microwave using SENSOR REHEAT Less.
3. Add berries and cool. Refrigerate until thickened. Fold whipped cream into cooled cranberry mixture. Spoon into serving dishes and garnish with extra whipped cream. Refrigerate until ready to serve.

Glazed Apple Slices

Makes 6 to 8 servings

- $\frac{1}{4}$ cup firmly-packed brown sugar
- 3 tablespoons butter or margarine
- 2 tablespoons apricot preserves
- $\frac{1}{2}$ teaspoon ground nutmeg
- $\frac{1}{4}$ teaspoon salt
- $\frac{1}{2}$ cup sugar
- $\frac{3}{4}$ cup orange juice
- 1 tablespoon cornstarch
- 4 baking apples (about 1 $\frac{1}{2}$ lbs), peeled and sliced into 8 pieces each
- 3 tablespoons chopped green pistachios

1. Combine brown sugar, butter and apricot preserves in a small bowl. Microwave at HIGH (100%) 45 seconds to 1 minute, until butter melts and preserves soften. Stir in nutmeg, salt, sugar, orange juice and cornstarch. Microwave at HIGH (100%), 4 to 6 minutes or until thickened, stirring several times.
2. Arrange apple slices in a large microwave serving dish. Spread hot sauce over apples. Cover well with vented wax paper. Microwave using FRESH VEGETABLES-SOFT. Allow to cool 5 minutes before serving.
3. Sprinkle with pistachios. Serve alone or over vanilla ice cream or sponge cake.

Savory Flounder Fillets

Makes 4 servings

- $\frac{3}{4}$ cup corn flake crumbs
- 3 tablespoons chopped parsley
- 2 teaspoons grated lemon peel
- $\frac{1}{2}$ teaspoon paprika
- 1 pkg. (1 lb.) flounder fillets
- 1 egg, slightly beaten
- Tarter or cocktail sauce, optional

1. On wax paper, combine crumbs, parsley, lemon peel and paprika. Dip fillets in beaten egg, then coat with crumb mixture.
2. Place fish in a covered, microwave-safe baking dish. Microwave using FISH, SEAFOOD.
3. Serve with tartar or cocktail sauce, if desired.

MANUAL CONVECTION AND AUTOMATIC MIX OPERATION

This section gives you specific cooking instructions and procedures. The oven should not be used without the turntable in place, and it should never be restricted so that it cannot rotate. You may remove the turntable when preheating the oven and when preparing food to be cooked directly on the turntable.

Caution: The oven cabinet, cavity, door, turntable, turntable support, racks and dishes will become hot. To PREVENT BURNS, use thick oven gloves when removing the food or turntable from the oven.

CONVECTION COOKING

During convection heating, hot air is circulated throughout the oven cavity to brown and crisp foods quickly and evenly. This oven can be programmed for ten different convection cooking temperatures for up to 99 minutes, 99 seconds.

TO COOK WITH CONVECTION

- Suppose you want to cook at 350°F for 20 minutes.
 1. Touch CONVEC pad.
 2. Select temperature by touching number pad **6**_{350°F}.
 3. Enter cooking time by touching number pads 2000.
 4. Touch START pad.

TO PREHEAT AND COOK WITH CONVECTION

Your oven can be programmed to combine preheating and convection cooking operations. You can preheat at the same temperature as the convection temperature or change it to a higher or lower temperature.

- Suppose you want to preheat until 350°F and then cook 25 minutes at 375°F convection.
 1. Touch PREHEAT pad.
 2. Select temperature by touching number pad **6**_{350°F}.
 3. Touch CONVEC pad.
 4. Select temperature by touching number pad **7**_{375°F}.
 5. Enter cooking time by touching number pads 2500.
 6. Touch START pad.

When the oven reaches the programmed temperature, it will automatically hold at the preheat temperature for 30 minutes and then the display will change to time of day. Whenever STOP/CLEAR pad is touched during this 30 minute period, press CONVEC or press MIX will be displayed and cooking mode and time can be entered.

Note: To preheat and cook with the same temperature, enter same temperature in steps 2 and 3.

BROIL

In the BROIL setting, preheating is automatic. Just enter the actual broiling time and wait for preheat to be over before adding food. (Preset 450°F). Oven temperature cannot be changed.

- Suppose you want to broil a ham steak for 15 minutes.
 1. Touch BROIL pad.
 2. Enter cooking time by touching number pads 1500.
 3. Touch START pad.

MANUAL CONVECTION AND AUTOMATIC MIX OPERATION

SLOW COOK

Slow Cook is a preset at 300°F. Slow Cook is programmed for 4 hours. Oven temperature can be changed to temperature below 300°F. Simply touch the SLOW COOK pad and touch the desired numbered pad with temperature below 300°F.

1. Touch SLOW COOK pad.
2. Touch START pad. The oven begins counting and continues to 4 hours.

AUTOMATIC MIX COOKING

This oven has two pre-programmed settings that make it easy to cook with both convection heat and microwave automatically.

	OVEN TEMPERATURE	MICROWAVE POWER
HIGH MIX	325°F	30%
LOW MIX	325°F	10%

With the exception of those foods that cook best by convection heating alone, most foods are well suited to mix cooking using either LOW MIX/BAKE or HIGH MIX/ROAST.

The marriage of these two cooking methods produces juicy meats, moist and tender cakes and fine textured breads, all with just the right amount of browning and crispness.

The temperature can be changed; however, the microwave power cannot.



The oven temperature can be changed from 100°F to 450°F. To change the temperature, first touch HIGH MIX or LOW MIX, then touch the same pad again. When the display says *SELECT TEMP*, touch desired temperature pad. Ex: HIGH MIX, HIGH MIX, pad 7. The mix temperature will change automatically.

TO COOK WITH AUTOMATIC MIX

- Suppose you want to bake a cake at low mix for 20 minutes.
1. Touch LOW MIX/BAKE pad.
 2. Enter cooking time by touching number pads 2000.
 3. Touch START pad.

TO PREHEAT AND COOK WITH AUTOMATIC MIX

Your oven can be programmed to combine preheating and automatic mix cooking operations. You can preheat at the same temperature as the preset combination temperature or change it to a different temperature.

- Suppose you want to preheat to 350°F and then cook 25 minutes on 300°F LOW MIX/BAKE:
1. Touch PREHEAT pad.
 2. Touch temperature pad .
 3. Touch LOW MIX pad. Touch LOW MIX pad once more to change the cooking temperature.
 4. Touch temperature pad .
 5. Enter cooking time by touching number pads 2500.
 6. Touch Start pad.

At the end of the baking time, 1 long tone will sound and *END* will be displayed.

CONVECTION AUTOMATIC MIX FEATURES

This section of the Use and Care Guide offers instructions for preparing 12 popular foods using AUTO BROIL, AUTO ROAST and AUTO BAKE.

After selecting the desired feature, follow the directions indicated in the display.

For helpful hints, simply touch HELP MENU anytime HELP is lighted in the display.

Caution: The oven cabinet, cavity, door, turntable, turntable support, racks and dishes will become hot. To PREVENT BURNS, use thick oven gloves when removing the food or turntable from the oven.

AUTO BROIL

AUTO BROIL automatically broils hamburgers, chicken pieces, steaks and fish steaks.

- Suppose you want to broil 2 hamburgers.

1. Touch AUTO BROIL pad.
2. Select desired setting. Example: for hamburgers, touch number pad 1.
3. Touch number pad to enter quantity. Example: 2. Follow information in display for cooking information.

For well done or rare burgers, touch POWER LEVEL pad to select More for well done or Less for rare. See More or Less Time Adjustment on page 28.

4. Touch START pad.

After broil preheat cycle ends, the oven will stop and directions will be displayed. Follow the indicated message. Open the door and place hamburgers into oven. Close the door.

5. Touch START pad.

Notes:

1. AUTO BROIL can be programmed with More or Less Time Adjustment. See page 28.
2. If you attempt to enter more or less than the allowed amount as indicated in chart below, an error message will appear in the display.

AUTO BROIL CHART

SETTING/FOOD	AMOUNT	PROCEDURE
1. HAMBURGERS	1-8 pieces 1/4 lb. each	Use this setting to broil hamburger patties. Place on low rack.
2. CHICKEN PIECES	0.5-3.0 lb.	Arrange pieces on low rack. After cooking, let stand, 3-5 minutes. Dark meat should be 180°F, and white meat should be 170°F.
3. STEAKS	0.5-2.0 lb.	Use this setting to broil steaks from 3/4" to 1" thick. Individual boneless steaks broil evenly. Place steak on low rack. For well done, touch POWER LEVEL once; for rare, touch POWER LEVEL twice.
4. FISH STEAKS	0.5-2.0 lb.	Use this setting to broil fish steak which is 3/4" to 1" thick. Place on low rack.

CONVECTION AUTOMATIC MIX FEATURES

AUTO ROAST

AUTO ROAST automatically roasts chicken, turkey, turkey breast or pork.

- Suppose you want to roast a 2.5 pound chicken.
 1. Touch AUTO ROAST pad.
 2. Select desired setting. Example: For chicken, touch number pad 1.
 3. Touch number pads 25 to enter weight.
 4. Touch START pad.

After AUTO ROAST cycle ends, a long tone will sound. Follow the indicated message.

Notes:

1. AUTO ROAST can be programmed with More or Less Time Adjustment. See page 28.
2. If you attempt to enter more or less than the allowed weight as indicated in chart below, an error message will appear in the display.

AUTO ROAST CHART

SETTING/FOOD	AMOUNT	RACK	PROCEDURE
1. CHICKEN	2.5-7.0 lb.	Low	After the cycle ends, cover with foil and let stand for 5-10 minutes. Internal temperature of white meat should be 170°F and of dark meat, 180°F.
2. TURKEY (unstuffed)	6.5-9.0 lb.	Low	Season, as desired. Place on low rack. After the cycle ends, cover with foil and let stand 10 minutes. Internal temperature of white meat should be 170°F and of dark meat, 180°F.
3. TURKEY BREAST	3.0-6.0 lb.	Low	Season, as desired. Place on low rack. After the cycle ends, cover foil and let stand 10 minutes. Internal temperature of white meat should be 170°F.
4. PORK	2.0-3.5 lb.	Low	Boneless pork loin is recommended because it cooks evenly. Place on low rack. After cooking, remove from oven, cover with foil and allow to stand 5-10 minutes. Internal temperature should be 160°F.

CONVECTION AUTOMATIC MIX FEATURES

AUTO BAKE

AUTO BAKE automatically bakes cakes, brownies, muffins and French fries.

- Suppose you want to bake a 13"x9"x2" cake.

1. Touch AUTO BAKE pad.

Note: Turntable function is automatically turned OFF.

2. Select desired setting. Example: For cake, touch number pad 1.

3. Touch START pad.

4. After Auto Bake preheat cycle ends, 4 tones will sound. Follow the indicated message. Open door. Place the cake pan inside. Close door and touch START.

After AUTO BAKE cycle ends, 1 long tone will sound, and *END* will be displayed.

Note: AUTO BAKE can be programmed with More or Less Time Adjustment. See page 28.

AUTO BAKE CHART

SETTING/FOOD	PAN SIZE/QTY	RACK	PROCEDURE
1. CAKE	13"x9"x2"	Low	Ideal for packaged cake mix or your own recipe for 13"x9"x2" pan. Prepare according to package or recipe directions and place in a greased and floured 13"x9"x2" baking pan. After the preheat is over, place pan in oven centered on low rack. Cool before frosting and serving.
2. BROWNIES	13"x9"x2"	Low	Ideal for packaged brownie mix or your own recipe for 13"x9"x2" pan. Prepare according to package or recipe directions and place in a greased and floured 13"x9"x2" baking pan. After the preheat is over, place pan in oven centered on low rack. Cool before cutting into serving pieces.
3. MUFFINS	12 cup Muffin pan	Low	Ideal for packaged muffin mix or your own recipe for 12 medium size muffins. Prepare according to package or recipe directions and place in one 12-cup muffin pan. After the preheat is over, place pan in oven centered on low rack.
4. FRENCH FRIES	3 - 24 oz. Cookie sheet to hold	Low	Use frozen prepared French fries. No preheat is required for the French fries baking procedure. Place French fries on cookie sheet on low rack. For shoestring potatoes, touch POWER LEVEL pad twice to enter less time before touching START pad.

OTHER CONVENIENT FEATURES

MULTIPLE SEQUENCE COOKING

The oven can be programmed for up to 4 automatic cooking sequences for the microwave mode and 3 automatic cooking sequences for convection mode, switching from one setting to another automatically.

Sometimes cooking directions tell you to start on one power level and then change to a different power level. Your oven can do this automatically.

- Suppose you want to cook roast beef for 5 minutes at 90% and then continue to cook for 30 minutes at 50%.

1. Touch POWER LEVEL pad once.
2. Touch number pad 9 for 90% power.
3. Enter cooking time by touching number pads 500.
4. Touch POWER LEVEL pad again.
5. Touch number pad 5 for 50% power.
6. Enter cooking time by touching number pads 3000.
7. Touch START pad.

Notes:

1. If POWER LEVEL pad is touched twice, HIGH will be displayed.
2. If 100% is selected as the final sequence, it is not necessary to touch the POWER LEVEL pad.
3. If you wish to know power level, simply touch the POWER LEVEL pad. As long as your finger is touching the POWER LEVEL pad, the power level will be displayed.

MORE OR LESS TIME ADJUSTMENT

More: Should you discover that you like any of the DEFROST, AUTO ROAST, AUTO BAKE, AUTO BROIL, SENSOR COOK or Sensor settings slightly more done, touch the POWER LEVEL pad once after touching your choice of pads.

Less: Should you discover that you like any of the DEFROST, AUTO ROAST, AUTO BAKE, AUTO BROIL, SENSOR COOK or Sensor settings slightly less done, touch the POWER LEVEL pad twice after touching your choice of pads.

EXTRA MINUTE

EXTRA MINUTE allows you to cook for a minute at 100% by simply touching the EXTRA MINUTE pad. You can also extend cooking time in multiples of 1 minute by repeatedly touching the EXTRA MINUTE pad during manual cooking using microwave, convection, mix or broil.

- Suppose you want to heat a cup of soup for one minute.

Touch EXTRA MINUTE pad.

Notes:

1. Touch EXTRA MINUTE pad within 1 minute after cooking, closing the door, touching the STOP/CLEAR pad or during cooking. EXTRA MINUTE cannot be used to start the oven if any program is on display.
2. EXTRA MINUTE cannot be used with SENSOR, SENSOR COOK, DEFROST, AUTO BROIL, AUTO ROAST or AUTO BAKE.

HELP (DISPLAY INDICATOR)

Each setting of DEFROST, AUTO BROIL, AUTO ROAST, AUTO BAKE, SENSOR and SENSOR COOK has a cooking hint. If you wish to check, touch HELP MENU whenever HELP is lighted in the Interactive Display.

OTHER CONVENIENT FEATURES

HELP MENU

Help Guide provides 5 features which make using your oven easy because specific instructions are provided in the Interactive Display.

1. Safety Lock

The Safety Lock prevents unwanted oven operation such as by small children.

Note: Safety Lock is not applicable to FAN and LIGHT buttons.

The oven can be set so that the control panel is deactivated or locked. To set, touch HELP MENU, the number 1 and START pad. Should a pad be touched, *LOCK* will appear in the display.

To cancel, touch HELP MENU, the number 1 and STOP/CLEAR.

2. Audible Signal Elimination

If you wish to have the oven operate with no audible signal, touch HELP MENU, the number 2 and STOP/CLEAR.

To cancel and restore the audible signal, touch HELP MENU, the number 2 and START.

3. Auto Start

If you wish to program your oven to begin cooking automatically at a designated time of day, follow this procedure:

- Suppose you want to start cooking a stew for 20 minutes on 50% at 4:30. Before setting, check to make sure the clock is set correctly.

1. Touch HELP MENU pad.
2. Touch number 3 to select the Auto Start.
3. To enter the start time at 4:30, touch numbers 43 and 0.
4. Touch CLOCK pad.
5. To enter cooking program, touch POWER LEVEL, number 5 and then touch numbers 200 and 0 for cooking time.
6. Touch START pad.

Notes:

1. *Auto Start can be used for manual cooking, AUTO BROIL, AUTO ROAST, AUTO BAKE, if clock is set.*
2. *If the microwave oven door is opened after programming Auto Start, it is necessary to touch the START pad for Auto Start time to appear in the readout so that the microwave oven will automatically begin programmed cooking at the chosen Auto Start time.*
3. *Be sure to choose foods that can be left in the oven safely until the Auto Start time. Baked potatoes are often a good choice.*

4. Language Selection

The oven comes set for English language. To change, touch HELP MENU and the number 4. Continue to touch the number 4 until your choice is selected. Then touch START pad.

Touch number 4 once for English.

Touch number 4 twice for Spanish.

Touch number 4 three times for French.

OTHER CONVENIENT FEATURES

5. Weight/Temp Selection

The oven comes set for U.S. Customary Unit-pounds. To change, touch HELP MENU and the number 5. Continue to touch the number 5 until your choice is selected. Then, touch START pad.

Touch number 5 once for LB. / °F.

Touch number 5 twice for KG. / °C.

START

START allows you to cook at 100% power by touching the START continuously. START is ideal for melting cheese, bringing milk to just below boiling etc. The maximum cooking time is 3 minutes.

- Suppose you want to melt cheese on a piece of toast.
 1. Continuously touch the START pad. The cooking time will begin counting up.
 2. When the cheese is melted to desired degree, remove finger from START pad. Microwave oven stops immediately.

Notes:

1. Note time it takes for frequently used foods and program that time in the future.
2. To use START, touch pad within 1 minute after cooking, opening and closing the door or touching the STOP/CLEAR pad.
3. START can only be used 3 times in a row. If more times are needed, open and close door or touch STOP/CLEAR.

KITCHEN TIMER

- Suppose you want to time a 3 minute long distance phone call.
 1. Touch KITCHEN TIMER pad.
 2. Enter time by touching the number pads 300.
 3. Touch START pad.

DEMONSTRATION MODE

To demonstrate, touch CLOCK, the number 0 and then touch START pad and hold for 3 seconds. *DEMO ON DURING DEMO NO OVEN POWER* and *DEMO* will appear in the display. Cooking operations and specific special features can now be demonstrated with no power in the microwave oven. For example, touch EXTRA MINUTE pad and the display will show *1.00* and count down quickly to *END*. To cancel, touch CLOCK, then the number 0 and STOP/CLEAR pads.

CLEANING AND CARE

Disconnect the power cord before cleaning or leave the door open to deactivate the microwave oven during cleaning.

EXTERIOR

The outside surface is precoated metal and plastic. Clean the outside with mild soap and water; rinse and dry with a soft cloth. Do not use any type of household or abrasive cleaner.

DOOR

Wipe the window on both sides with a damp cloth to remove any spills or splatters. Metal parts will be easier to maintain if wiped frequently with a damp cloth. Avoid the use of spray and other harsh cleaners as they may stain, streak or dull the door surface.

TOUCH CONTROL PANEL

Care should be taken in cleaning the touch control panel. If the control panel becomes soiled, open the microwave oven door before cleaning. Wipe the panel with a cloth dampened slightly with water only. Dry with a soft cloth. Do not scrub or use any sort of chemical cleaners. Close door and touch STOP/CLEAR pad.

INTERIOR - AFTER MICROWAVE COOKING

The oven walls, ceiling and floor are stainless steel. Cleaning after microwave cooking is easy because no heat is generated to the interior surfaces; therefore, there is no baking and setting of spills or spattering. To clean the interior surfaces, wipe with a soft cloth and warm water. **DO NOT USE ABRASIVE OR HARSH CLEANERS OR SCOURING PADS.** For heavier soil, use mild soap; rinse thoroughly with hot water.

INTERIOR - AFTER CONVECTION, MIX OR BROIL COOKING

Spatters may occur because of moisture and grease. Wash immediately after use with hot, soapy water. Rinse and polish dry. Harder to remove spatters may occur if oven is not thoroughly cleaned or if there is long time/high temperature cooking. If so, you may wish to purchase an oven cleaner pad with liquid cleaner within it—not a soap filled steel pad—for use on stainless or porcelain surfaces. Follow manufacturer's directions carefully and be especially cautious not to get any of the liquid cleaner in the perforations on the wall or ceiling or any door surfaces. Rinse thoroughly and polish dry.

WAVEGUIDE COVER

The waveguide cover is located on the ceiling in the oven cavity. It is made from mica so requires special care. Keep the waveguide cover clean to assure good oven performance. Carefully wipe with a damp cloth any food spatters from the surface of the cover immediately after they occur. Built-up splashes may overheat and cause smoke or possibly catch fire. **DO NOT REMOVE THE WAVEGUIDE COVER.**

ODOR REMOVAL

Occasionally, a cooking odor may remain in the oven. To remove, combine 1 cup water, grated peel and juice of 1 lemon and several whole cloves in a 2-cup glass measuring cup. Boil for several minutes using 100% power. Allow to set in oven until cool. Wipe interior with a soft cloth.

TURNTABLE/TURNTABLE SUPPORT

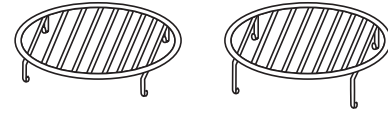
The ceramic turntable and turntable support can be removed for easy cleaning. Wash them in mild, sudsy water; for stubborn stains use a mild cleanser and scouring sponge as described above. They are also dishwasher-safe using top rack.



CLEANING AND CARE

OVEN RACKS

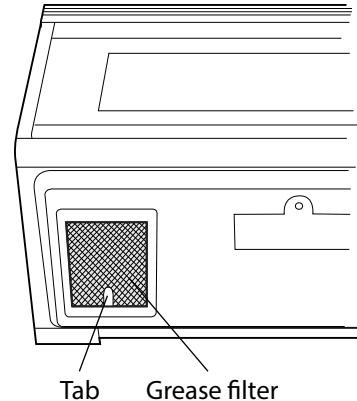
The high and low baking racks can be removed for easy cleaning and stored away from the microwave oven when racks are not needed. After each use, wash them in mild, sudsy water. For any stubborn stains, use a mild kitchen cleanser and scouring sponge as described above. They are dishwasher-proof.



GREASE FILTERS

Filters should be cleaned at least once a month. Never operate the fan or oven without the filters in place.

1. Pull the tab toward the front of the oven, down slightly and remove the filter. Repeat for the other filter.
2. Soak the filters in a sink or dish pan filled with hot water and detergent. DO NOT use ammonia or other alkali; they will react with the filter material and darken it.
3. Agitate and scrub with a brush to remove embedded dirt.
4. Rinse thoroughly and shake dry.
5. Replace by fitting the filter back into the opening.



FAN

The fan will automatically start when heat rises from range surface units or burners and when CONVECTION, HIGH MIX, LOW MIX or the BROIL settings are used. This protects the microwave oven from excessive temperature rise. The fan will stay on until the temperature decreases. It cannot be turned off manually during this time.

For other uses, select either high or low speed.

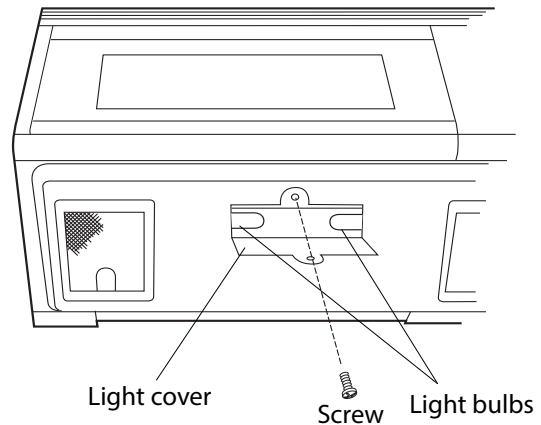
Precautions For Proper Use:

1. DO NOT leave range unattended while using high temperatures. Automatic fan may start and provide excessive air to the surface units. This may cause spattering or boilover.
2. Avoid burning food.
3. Keep grease filters clean.

CLEANING AND CARE

LIGHT

1. To replace light bulbs, first disconnect power to the oven at the circuit breaker panel or by unplugging.
2. To release cover remove the screw on the light cover. (See illustration.)
3. Replace bulbs only with 20 watt bulbs available from a Fisher & Paykel Authorized Servicer or parts distributor. Bulbs are also available at most hardware stores or lighting centers. **DO NOT USE A BULB LARGER THAN 30 WATTS.**
4. Close light cover and secure with screw removed in step 2.



CAUTION: *Light cover may become very hot. Do not touch glass when light is on. Do not use light for long time use such as a night light.*

OVEN LIGHT

1. Disconnect power to the oven at the circuit breaker panel or by unplugging.
2. Remove 3 screws that secure louver.
3. Remove louver by inserting flat edge screwdriver over each tab depressing the tab down and moving louver away from unit.
4. Pull the louver away from the oven.
5. Slide the light cover forward and lift up.
6. Remove old light bulb and replace only with 20 watt bulb available from a Fisher & Paykel Authorized Servicer or parts distributor. Bulbs are also available at most hardware stores or lighting centers. **DO NOT USE A BULB LARGER THAN 30 WATTS.**
7. Replace the oven light cover, push louver back in place and replace the louver mounting screws.

CLEANING AND CARE

CHARCOAL FILTER

The Charcoal Filter is used for non-vented, re-circulated installations. The filter should be changed every 6 to 12 months depending on use.

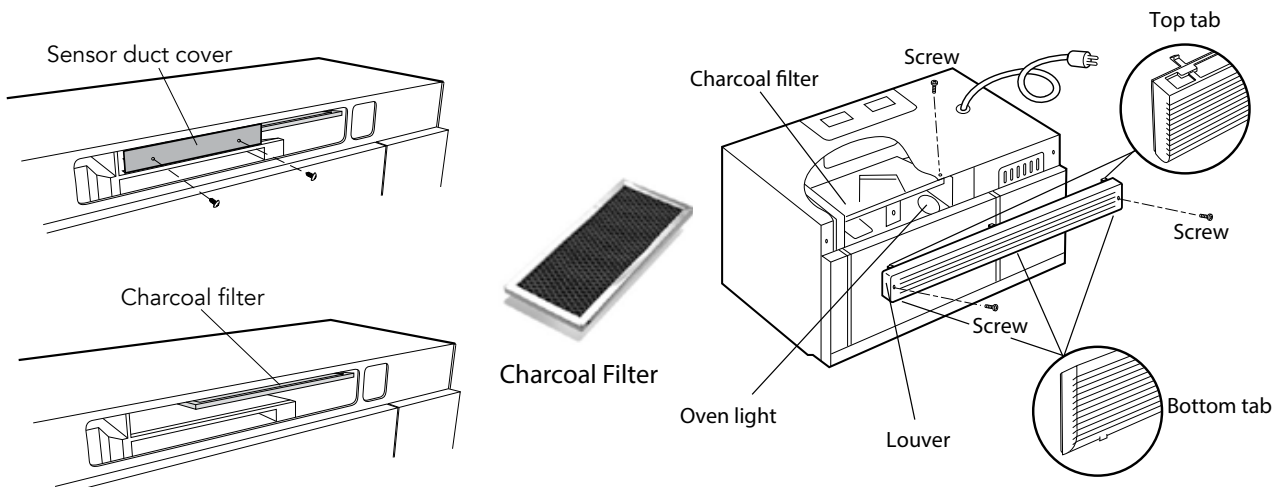
To initially install the Charcoal Filter:

1. Disconnect power to the oven at the circuit breaker panel or by unplugging.
2. Remove 3 screws that secure louver.
3. Remove louver by inserting flat edge screwdriver over each tab, depressing the tab down and moving the louver away from unit.
4. Pull louver away from the oven.
5. Remove 2 screws that cover the sensor duct cover.
6. Remove the sensor duct cover.
7. Insert the Charcoal Filter by sliding into position on support tabs.
8. Reattach sensor duct cover and secure with 2 screws.
9. Push louver back into place and gently snap tabs into place by hand. Replace the 3 screws to secure louver.

To change/replace the Charcoal Filter:

1. Disconnect power to the oven at the circuit breaker panel or by unplugging.
2. Remove 3 screws that secure louver.
3. Remove louver by inserting flat edge screwdriver over each tab, depressing the tab down and moving the louver away from unit.
4. Pull louver away from the oven.
5. Remove 2 screws that cover the sensor duct cover.
6. Remove the sensor duct cover.
7. Remove old Charcoal filter; discard.
8. Slide replacement Charcoal Filter into position on support tabs.
9. Reattach sensor duct cover and secure with 2 screws.
10. Push louver back into place and gently snap tabs into place by hand. Replace the 3 screws to secure louver.

Note: Replacement Charcoal Filter can be purchased from Fisher and Paykel. Order part number 247890.



SERVICE CALL CHECK

Check the following before calling for service:

1. Place one cup of water in a glass measuring cup in the oven and close the door securely.

Operate the oven for two minutes at HIGH 100%.

- A. Does the light come on in the oven? YES _____ NO _____
- B. Does the cooling fan work? (Put your hand over the top ventilation openings.) YES _____ NO _____
- C. Does the turntable rotate when the TURNTABLE ON/OFF pad is touched and TURNTABLE ON is in the display? (It is normal for the turntable to turn in either direction when TURNTABLE ON is in the display.) YES _____ NO _____
- D. Is the water in the oven warm? YES _____ NO _____
- E. Does 'H' appear on the display when fan is manually turned on? YES _____ NO _____

2. Remove the water from the oven and program: CONVEC, 450°F, 500, START

- A. Do CONV and COOK light? YES _____ NO _____
- B. After the oven shuts off, is the inside of the oven hot? YES _____ NO _____

If 'NO' is the answer to any of the above questions, please check electrical outlet, fuse and/or circuit breaker. If either or both are not functioning properly, CONTACT YOUR NEAREST Fisher & Paykel AUTHORIZED SERVICER. A microwave oven should never be serviced by a 'do-it-yourself' repair person.

Note: If time appearing in the display is counting down very rapidly, check Demonstration Mode on page 30 and cancel.

For warranty service, contact your local service provider or our Customer Care Representative at (888) 936-7872. Before you call, have the following information ready:

- Model Number (located on the bottom left corner of the cavity face)
- Serial Number (located on the bottom left corner of the cavity face)
- Date of installation
- A brief description of the problem

Your satisfaction is of the utmost importance to us. If a problem cannot be resolved to your satisfaction, please write or email us at:

Write: Fisher & Paykel Appliances Inc.
695 Town Center Drive, Suite 180
Costa Mesa, CA 92626-1902
USA

Toll free: 1.888.9.FNP.USA (1.888.936.7872)

Fax: 949.790.8911

Email: usa.customercare@fisherpaykel.com

Web: www.fisherpaykel.com

SPECIFICATIONS


AC Line Voltage:	UL Rating - Single phase 120V, 60Hz, AC only CSA Rating - Single phase 116V, 60Hz, AC only
AC Power Required:	UL Rating - 1600 W 13.2 amps. CSA Rating - 1500 W 13.0 amps.
Output Power Microwave:	850 W* (IEC Test Procedure)
Convection Heater:	1400 W
Frequency:	2450 MHz
Outside Dimensions:	29 15/16" (W) x 16 11/32" (H) x 15 9/32" (D)
Cavity Dimensions:	17 1/8" (W) x 8 1/16" (H) x 13 13/16" (D)
Oven Capacity:	1.1 cu. ft.
Cooking Uniformity:	Turntable & Stirrer Fan
Weight:	Approx. 71 lbs

* The International Electrotechnical Commission's standardized method for measuring output wattage. This test method is widely recognized.

In compliance with standards set by:

FCC – Federal Communications Commission Authorized.

DHHS – Complies with Department of Health and Human Services (DHHS) rule, CFR, Title 21, Chapter I, Subchapter J.

 **UL** us – This symbol on the nameplate means the product is listed by Underwriters Laboratories, Inc. for use in USA or Canada.

WARRANTY

LIMITED WARRANTY

When you purchase a new Convection Microwave, you automatically receive a One Year Limited Warranty covering parts and labor for the entire product, a Five Year Limited Warranty, with respect to the magnetron tube in the Product, (parts only, labor and service are not provided free of charge for this additional period) for servicing within the 48 mainland United States, Hawaii, Washington D.C. and Canada. In Alaska the Limited Warranty is the same except that you must pay to ship the Product to the service shop or the service technician's travel to your home. Products for use in Canada must be purchased through the Canadian distribution channel to ensure regulatory compliance.

FISHER & PAYKEL UNDERTAKES TO:

Repair without cost to the owner either for material or labor any part of the Product, the serial number of which appears on the Product, which is found to be defective. In Alaska, you must pay to ship the Product to the service shop or for the service technician's travel to your home.

If we are unable to repair a defective part of the Product after a reasonable number of attempts, at our option we may replace the part or the Product, or we may provide you a full refund of the purchase price of the Product (not including installation or other charges).

This warranty extends to the original purchaser and any succeeding owner of the Product for products purchased for ordinary single-family home use. All service under this Limited Warranty shall be provided by Fisher & Paykel Appliances Inc. or its Authorized Service Agent during normal business hours.

HOW LONG DOES THIS LIMITED WARRANTY LAST?

Our liability under this Limited Warranty for the entire product expires One Year from the date of purchase of the Product by the first consumer. Our liability under this Limited Warranty for surface burners, griddle burners, grill burner and oven burners (parts only) expires Five Years from the date of the purchase of the Product by the first customer. Our liability under this Limited Warranty for the porcelain oven liner and porcelain inner door panel (parts only) expires Two Years from the date of the purchase of the Product by the first customer.

Our liability under any implied warranties, including the implied warranty of merchantability (an unwritten warranty that the Product is fit for ordinary use) also expires One Year (or such longer period as required by applicable law) from the date of purchase of the Product by the first consumer. Some states do not allow limitations on how long an implied warranty lasts, so this limit on implied warranties may not apply to you.

THIS WARRANTY DOES NOT COVER:

- A. Service calls that are not related to any defect in the Product. The cost of a service call will be charged if the problem is not found to be a defect of the Product. For example:
1. Correct faulty installation of the Product.
 2. Instruct you how to use the Product.
 3. Replace house fuses, reset circuit breakers, correct house wiring or plumbing, or replace light bulbs.
 4. Correct fault (s) caused by the user.
 5. Change the set-up of the Product.
 6. Unauthorized modifications of the Product.
 7. Noise or vibration that is considered normal, for example, drain/fan sounds, regeneration noises or user warning beeps.
 8. Correcting damage caused by pests, for example, rats, cockroaches etc.

WARRANTY

- B. Defects caused by factors other than:
 - 1. Normal domestic use or
 - 2. Use in accordance with the Product's Use and Care Guide.
- C. Defects to the Product caused by accident, neglect, misuse, fire, flood or Act of God.
- D. The cost of repairs carried out by non-authorized repairers or the cost of correcting such unauthorized repairs.
- E. Travel Fees and associated charges incurred when the product is installed in a location with limited or restricted access. (i.e. airplane flights, ferry charges, isolated geographic areas).
- F. Normal recommended maintenance as set forth in the Product's Use and Care Guide.

If you have an installation problem contact your dealer or installer. You are responsible for providing adequate electrical, exhausting and other connection facilities.

We are not responsible for consequential or incidental damages (the cost of repairing or replacing other property damaged if the Product is defective or any of your expenses caused if the Product is defective). Some states do not allow the exclusion or limitation of incidental or consequential damages, so the above limitation or exclusion may not apply to you.

HOW TO GET SERVICE

Read your Use and Care Guide. If you then have any questions about operating the Product, need the name of your local Authorized Service Agent, or believe the Product is defective and wish service under this Limited Warranty, please contact your dealer or call us at:

TOLL FREE (888) 936-7872 or contact us through our web site: www.fisherpaykel.com

You may be required to provide reasonable proof of the date of purchase of the Product before the Product will be serviced under this Limited Warranty.

COMMERCIAL USE

This warranty applies to appliances used in residential applications; it does not cover their use in commercial situations.

NO OTHER WARRANTIES

This Limited Warranty is the complete and exclusive agreement between you and Fisher & Paykel Appliances Inc. regarding any defect in the Product. None of our employees (or our Authorized Service Agents) are authorized to make any addition or modification to this Limited Warranty.

Warrantor: Fisher & Paykel Appliances, Inc.

If you need further help concerning this Limited Warranty, please call us at the above number, or write to:

Fisher & Paykel Appliances Inc.
695 Town Center Drive, Suite 180
Costa Mesa, CA 92626-1902
USA

This Limited Warranty gives you specific legal rights, and you may also have other rights which vary from state to state.

Fisher & Paykel Appliances Inc. is a leading manufacturer of premium quality cooking and specialty appliances.

FISHER & PAYKEL

**FOUR MICRO-ONDES À CONVECTION
EN SURPLOMB DE CUISINIÈRE**

Modèle CMOH30SS

GUIDE D'UTILISATION

US CA



UN MESSAGE À NOS CLIENTS

Nous vous remercions d'avoir choisi ce four micro-ondes à convection. Nous avons conçu ce Manuel d'utilisation pour expliquer ses fonctions uniques. Il contient des informations extrêmement utiles sur la façon de faire fonctionner et d'entretenir correctement votre nouvel appareil. Vous pourrez ainsi en profiter pendant des années en toute sécurité.

Aidez-nous à mieux vous servir en remplissant l'enregistrement de produit et en nous le soumettant depuis notre site Web : à www.fisherpaykel.com. Sélectionnez « PRODUCT REGISTRATION ».

De plus, gardez ce manuel à portée de main afin de rapidement trouver réponse à vos questions durant l'utilisation de votre nouvel appareil.

Si vous avez des questions au sujet de notre produit, communiquez avec un représentant du centre de service à la clientèle par téléphone : 1-888-936-7872, ou par courriel : usa.customercare@fisherpaykel.com

REMARQUE : Veuillez noter les numéros de modèle et de série sur cette page pour information (se trouve sur le coin inférieur gauche du bord avant de la cavité).

NUMÉRO DE MODÈLE _____ NUMÉRO DE SÉRIE _____

REMARQUE : Inspecter le produit pour vérifier qu'il n'a pas été endommagé pendant l'expédition. En cas de dommages, contacter le transporteur et entamer une déclaration pour dommage. Fisher & Paykel n'est en aucun cas responsable des dommages pendant l'expédition.

Ne pas jeter le matériau d'emballage (boîte, palette, sangles) avant d'avoir inspecté l'unité.

PRÉCAUTIONS POUR ÉVITER LE RISQUE D'UNE EXPOSITION AUX MICRO-ONDES

- ***Ne pas essayer de faire fonctionner ce four lorsque que la porte est ouverte, car le fonctionnement avec la porte ouverte pourrait entraîner une exposition dangereuse aux micro-ondes. Il est important que le système de fermeture de sûreté ne soit pas désamorcé ou modifié.***
- ***Ne placer aucun objet entre le cadre et la porte du four et ne pas laisser de saleté ou de traces de produits de nettoyage s'accumuler sur les surfaces d'étanchéité.***
- ***Ne pas utiliser le four s'il est endommagé. Il est particulièrement important que la porte ferme correctement et que les éléments suivants ne présentent pas de défauts : (1) porte (gauchie), (2) charnières et verrous (brisés ou desserrés), (3) joints et surfaces d'étanchéité de la porte.***
- ***Le four ne doit être réglé ou réparé que par du personnel d'entretien qualifié.***

VEUILLEZ CONSERVER CE MANUEL COMME RÉFÉRENCE FUTURE.

TABLE DES MATIÈRES

Un Message À Nos Clients.....	2	Slow Cook (Cuisson Lente).....	24
Précautions Pour Éviter le Risque		Cuisson Automatique Combinée	24
D'une Exposition aux Micro-Ondes.....	2	Pour Cuire avec Combinaison	
Importantes Consignes de Sécurité	4	Automatique	24
Déballez et Inspectez Votre Four	6	Pour Préchauffer et Cuire avec	
Instructions de Mise À la Terre.....	6	Combinaison Automatique	24
Renseignements Utiles.....	7	Convection Automatique	
Le Four À Micro-Ondes.....	7	Combinée Fonctions.....	25
À Propos de la Cuisson Aux Micro-Ondes	7	Auto Broil (Voûte Automatique)	25
Ustensiles et Couvercles.....	8	Tableau Auto Broil (Voûte Automatique).....	25
À Propos des Enfants et du Four		Auto Roast (Rôtissage Automatique).....	26
À Micro-Ondes.....	10	Tableau Auto Roast	
À Propos de la Sécurité.....	10	(Rôtissage Automatique).....	26
Préparation de Divers Aliments.....	11	Auto Bake (Sole Automatique)	27
Nomenclature des Pièces	12	Tableau Auto Bake (Sole Automatique)	27
Avant L'usage.....	14	Autres Particularités Commodes	28
Réglage de L'horloge.....	14	Cuisson par Séquences Multiples.....	28
Stop/Clear (Arrêt/Annulation).....	14	Plus ou moins de temps d'ajustement	28
Fonctionnement Manuel		Extra Minute (Minute Supplémentaire).....	28
Du Four À Micro-Ondes	15	Help Menu (Menu D'aide)	29
Marche/Arrêt du Plateau Tournant	15	Help (Indication À L'affichage).....	30
Fan / Light (Lampe / Ventilateur de Hotte)...	15	Start (Démarrage).....	30
Cuisson par Micro-Ondes	15	Kitchen Timer (Minuterie de Cuisine).....	30
Keep Warm (Maintien au Chaud).....	16	Mode de Démonstration	30
Réglage du Niveau de Puissance	16	Nettoyage et Entretien.....	31
Micro-Ondes Particularités	17	Extérieur.....	31
Defrost (Décongélation)	17	Porte.....	31
Tableau Defrost (Décongélation).....	17	Panneau Tactile de Commande.....	31
Décongélation Manuelle	18	Intérieur - Après Cuisson Aux Micro-Ondes.	31
Cuisson par Capteur	18	Intérieur - Après Cuisson par Convection	
Sensors (Capteurs)	19	ou Combinée, ou Grillade.....	31
Sensor Reheat (Capteur de Réchauffage).....	19	Couvercle du Guide D'ondes.....	31
Popcorn.....	19	Désodorisation	31
Tableau Sensor (Capteur).....	20	Plateau Tournant et Support	32
Sensor Cook (Cuisson au Capteur)	21	Grilles	32
Tableau Sensor Cook (Cuisson au Capteur) .	21	Filtres À Graisses	32
Recettes de Cuisson au Capteur.....	22	Ventilateur.....	32
Cuisson par Convection/		Éclairage.....	33
Combinaison Automatique	23	Ampoule du Four.....	33
Cuisson par Convection	23	Filtre À Charbon	34
Cuire par Convection	23	Appel de Service.....	35
Préchauffage et Cuisson par Convection.....	23	Fiche Technique	36
Broil (Gril).....	23	Garantie	37

SYSTÈME DE CUISINE INTERACTIVE

Le Système de cuisine interactive affiche des instructions pas-à-pas pour chaque étape d'utilisation du four, depuis le réglage de la minuterie jusqu'à la programmation de chaque fonction. Le système comprend également une aide personnalisée donnant les modes d'emploi du verrouillage de sécurité, suppression de signal sonore, démarrage automatique et aide. Le système est disponible en anglais, espagnol ou français, et propose un choix entre les systèmes de poids et mesures U.S. Customary Unit-pound ou décimal/métrique. Appuyer sur HELP MENU et suivre les directions affichées, ou consulter la page 29.

IMPORTANTES CONSIGNES DE SÉCURITÉ

Certaines précautions de sécurité devraient toujours être prises lorsqu'on se sert d'appareils électriques :

AVERTISSEMENT - Pour réduire les risques de brûlures, de chocs électriques, de feu, de blessures ou d'exposition aux micro-ondes :

1. Lire toutes les instructions avant de se servir de l'appareil.
2. Lire et suivre les PRÉCAUTIONS POUR ÉVITER LE RISQUE D'UNE EXPOSITION AUX MICRO-ONDES à l'intérieur de la couverture avant.
3. Cet appareil doit être mis à la terre. Brancher seulement à une prise à trois broches. Se reporter aux «INSTRUCTIONS DE MISE À LA TERRE», page 6
4. Installer ou placer l'appareil conformément aux instructions d'installation fournies.
5. Certains produits comme des oeufs entiers et des contenants scellés — par exemple des bocaux en verre fermés — peuvent exploser et ne devraient pas être utilisés dans ce four.
6. N'utiliser cet appareil qu'aux fins décrites dans ce manuel. Ne pas utiliser de produits corrosifs dans le four à micro-ondes. Ce four a été conçu pour la cuisson et le réchauffage des aliments, non pour un usage industriel ou des travaux en laboratoire.
7. Comme pour tout appareil, exercer une surveillance étroite quand des enfants l'utilisent.
8. Ne pas faire fonctionner l'appareil si le cordon ou la fiche sont endommagés, si l'appareil ne fonctionne pas bien ou s'il a été endommagé ou est tombé.
9. Cet appareil ne doit être réparé que par du personnel de service autorisé.
10. Ne couvrir ou bloquer aucune ouverture de l'appareil.
11. Ne pas laisser, ni utiliser cet appareil à l'extérieur. Ne pas utiliser ce produit auprès de l'eau – comme par exemple près d'un évier de cuisine, dans un sous-sol humide, près d'une piscine ou dans d'autres endroits semblables.
12. Ne pas immerger le cordon ou la fiche dans l'eau.
13. Garder le cordon loin des surfaces chauffées.
14. Ne pas laisser pendre le cordon de la table ou du comptoir.
15. Voir les instructions pour le nettoyage de la surface de la porte à la page 31.
16. Pour réduire les risques de feu à l'intérieur du four :
 - a. Ne pas trop faire cuire les aliments. Rester prudemment près du four lorsqu'on utilise du papier, du plastique ou tout autre matériel combustible pour faciliter la cuisson.
 - b. Retirer les attaches de métal des sacs de papier ou de plastique avant de mettre les sacs au four.
 - c. Si les matériaux à l'intérieur du four prennent feu, garder la porte du four fermée, arrêter le four et débrancher la fiche ou couper l'électricité au panneau d'entrée.
 - d. Ne pas utiliser la cavité comme espace de rangement. Ne laisser ni papier, ni ustensiles, ni aliments dans la cavité lorsque l'appareil n'est pas utilisé.

IMPORTANTES CONSIGNES DE SÉCURITÉ

17. Des liquides tels que l'eau, le café ou le thé peuvent chauffer au-delà du point d'ébullition sans qu'aucun bouillonnement n'apparaisse. Ainsi, quand le contenant est retiré du four, il peut ne pas y avoir d'ébullition ou de bouillonnement apparents. IL PEUT EN RÉSULTER UN DÉBORDEMENT DES LIQUIDES TRÈS CHAUDS LORSQU'UNE CUILLER OU UN AUTRE USTENSILE EST INSÉRÉ DANS.

Pour réduire le risque de blessures personnelles:

- a. Ne pas trop chauffer le liquide.
 - b. Remuer le liquide et avant de le chauffer et à mi-cuisson.
 - c. Ne pas utiliser de contenants à bords droits et à goulot mince. Utiliser un bocal à large goulot.
 - d. Après le chauffage, laisser reposer le contenant dans le four à micro-ondes pour au moins 20 secondes avant de le retirer.
 - e. Lors d'insérer une cuiller ou un autre ustensile dans le contenant, le faire très soigneusement.
18. Nettoyez les ouvertures de ventilation et les filtres fréquemment -- il ne faut pas laisser de la graisse s'accumuler sur les ouvertures de ventilation, la hotte ou les filtres à graisse.
19. Faites très attention quand vous nettoyez l'évent à lame et les filtres à graisse. Les agents de nettoyage corrosifs, tels que les nettoyeurs pour fours à la soude, peuvent endommager l'évent à lame et les filtres à graisse.
20. Si vous flambez des plats sous la hotte, mettez le ventilateur en marche.
21. Cet appareil convient pour un emploi audessus d'équipement de cuisson au gaz ou à l'électricité d'une largeur de 90 cm ou moins.

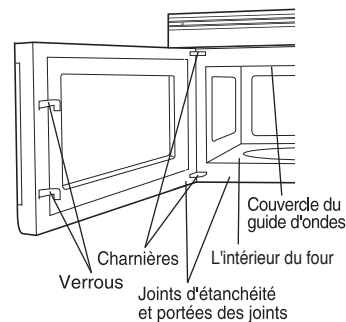
CONSERVER CE MODE D'EMPLOI

DÉBALLEZ ET INSPECTEZ VOTRE FOUR

Enlevez soigneusement le four du carton. GARDEZ LE CARTON CAR IL PEUT FACILITER L'INSTALLATION.

Enlevez :

1. tous matériaux d'emballage de l'intérieur du four, mais NE PAS RETIRER LE COUVERCLE DU GUIDE D'ONDES situé au plafond de l'intérieur du four. Vérifiez la présence des Instructions d'installation, du gabarit mural, du gabarit supérieur. Prière de lire les pièces jointes et de CONSERVER le Manuel de l'opérateur.
2. l'autocollant avec caractéristiques collé à l'intérieur de la porte s'il y en a un.



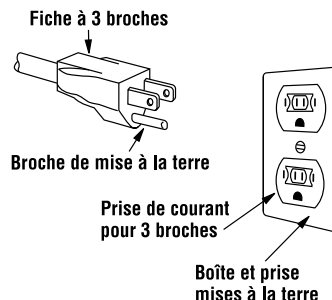
Vérifiez que le four n'a aucun dommage, comme une porte mal alignée ou pliée, un joint ou des surfaces d'étanchéité de porte endommagés, des charnières ou des mécanismes de verrouillage cassés ou lâches et des coups à l'intérieur de la cavité ou sur la porte. En cas de dommages quelconques, ne faites pas fonctionner le four et contactez votre détaillant ou un réparateur autorisé Fisher & Paykel.

Voir les instructions d'installation pour plus de détails.

INSTRUCTIONS DE MISE À LA TERRE

Cet appareil doit être mis à la terre. Ce four est équipé d'un cordon d'alimentation avec fil de terre, et d'une fiche de mise à la terre. Il faut le brancher dans une prise murale qui a été installée correctement et mise à la terre selon le Code national de l'électricité et les codes et décrets locaux. En cas de court-circuit électrique, la mise à la terre réduit les risques de secousse électrique en permettant au courant de s'échapper par le fil de terre.

ATTENTION : Un usage impropre de la fiche de terre peut provoquer une secousse électrique. NE PAS UTILISER DE RALLONGE. Si le cordon d'alimentation est trop court, demander à un électricien qualifié de poser une prise près de l'appareil.



INSTALLATION ÉLECTRIQUE

Vérifiez les instructions d'installation pour l'emplacement correct de l'alimentation électrique.

Les demandes en électricité sont de 120 volts à 60 Hz, courant alternatif seulement, 15 A ou plus sous alimentation protégée. Il est recommandé d'alimenter le four par un circuit séparé.

Le four est équipé d'une fiche de terre à trois broches. Il faut la brancher dans une prise murale correctement installée et mise à la terre. IL NE FAUT EN AUCUN CAS ENLEVER LA BROCHE DE MISE À LA TERRE DE LA FICHE.

Remarques :

1. Si vous avez des questions à propos de l'installation électrique ou de la mise à la terre, consultez un électricien de métier ou un réparateur qualifié.
2. Ni Fisher & Paykel ni le détaillant ne peuvent accepter aucune responsabilité pour des dommages au four, ou des blessures personnelles résultant du non-respect des procédures correctes de connexion électrique.

BROUILLAGE RADIO OU T.V.

Si votre four à micro-ondes provoque un brouillage radio ou T.V., vérifiez que le four à micro-ondes est bien sur un circuit électrique séparé, éloignez la radio ou la télévision le plus possible du four et vérifiez la position et le signal de l'antenne de réception.

RENSEIGNEMENTS UTILES

LE FOUR À MICRO-ONDES

Ce mode d'emploi est précieux; le lire attentivement et le conserver pour s'y reporter, au besoin.

Un bon livre de cuisine aux micro-ondes est très utile. Il présente les principes, les techniques, des conseils et des recettes de cuisine aux micro-ondes.

Ne **JAMAIS** se servir du four sans le plateau tournant et le support. Ne pas installer le plateau tournant à l'envers pour faire entrer dans le four un plat de grandes

dimensions. Le plateau tourne dans les deux sens.

S'assurer à ce qu'il y ait **TOUJOURS** des aliments dans le four lorsqu'il est allumé, de sorte qu'ils absorbent l'énergie produite.

Quand on utilise le four à des niveaux de puissance inférieurs à 100 %, on peut entendre la mise en marche et l'arrêt du magnétron. Il est normal que l'extérieur du four soit chaud au toucher pendant la cuisson ou le réchauffement.

La condensation est un phénomène normal pendant la cuisson au four à micro-ondes. L'humidité ambiante et la teneur en eau des aliments déterminent le degré de condensation à l'intérieur du four.

En règle générale, les aliments couverts produisent moins de condensation que les aliments cuits à découvert. Veiller à ce que les événements à l'arrière du four soient toujours dégagés.

Ce four est conçu seulement pour la préparation des aliments. Il ne doit pas être utilisé pour sécher des vêtements ou des journaux.

La puissance de ce four est de 850 watts calculée par la méthode d'essai CEI. Vérifier la cuisson des aliments une minute ou deux avant la fin de la période minimum de cuisson indiquée sur les recettes et les emballages et, s'il y a lieu, augmenter le temps de cuisson.

À PROPOS DE LA CUISSON AUX MICRO-ONDES

- Disposer les aliments avec soin. Placer la partie la plus épaisse des aliments vers l'extérieur du plat.
- Vérifier le temps de cuisson. Cuire les aliments pendant la plus courte période indiquée et prolonger la cuisson au besoin. Des aliments trop cuits peuvent dégager de la fumée ou prendre feu.
- Recouvrir les aliments pendant la cuisson. Selon la recette ou le livre de cuisine, utiliser un essuie-tout, du papier ciré, un film plastique allant au micro-ondes ou un couvercle. Couvrir les aliments empêche les éclaboussures et leur permet de cuire de manière uniforme.
- Protéger les parties de viande ou de volaille très minces par des petits écrans en papier d'aluminium pour éviter qu'ils ne cuisent trop vite par rapport aux parties plus épaisses.
- Si possible, remuer les aliments de l'extérieur du plat vers le centre une ou deux fois pendant la cuisson.
- Retourner les aliments comme du poulet et des galettes de viande une fois au cours de la cuisson afin d'accélérer le processus. Il faut retourner les grosses pièces comme les rôtis au moins une fois.
- Au milieu de la cuisson, déplacer les aliments comme les boulettes de viande, de l'intérieur du plat vers l'extérieur, et du haut vers le bas.
- Prévoir du temps de repos. Retirer les aliments du four et, si possible, les remuer. Couvrir les aliments pendant ce temps pour leur permettre de finir de cuire.
- Vérifier la cuisson. Rechercher les signes qui indiquent que les aliments sont cuits à point.

Par exemple :

- La vapeur s'élève de toute la surface des aliments, pas seulement des bords.
- Le fond du plat est très chaud au toucher.
- Les cuisses de poulet se détachent facilement.
- La viande et la volaille ne présentent plus de parties rosées.

RENSEIGNEMENTS UTILES

USTENSILES ET COUVERCLES

Il n'est pas nécessaire d'acheter une nouvelle batterie de cuisine. Beaucoup de vos récipients peuvent très bien servir à la cuisson dans votre nouveau four micro-ondes à convection. Le tableau ci-dessous vous aidera à choisir les ustensiles et couvercles convenant le mieux à chaque mode de cuisson.

Feuille d'aluminium	OUI - Des petites feuilles d'aluminium lisses peuvent être placées sur une préparation pour protéger ses surfaces contre une cuisson ou une décongélation trop rapide. Maintenir les feuilles à au moins un pouce d'écart des parois du four.	OUI - Comme protection.	OUI - Comme protection.
Aluminium containers	OUI - À condition de ne remplir qu'aux 3/4. Maintenir à un pouce d'écart des parois du four et ne pas recouvrir de feuille d'aluminium.	OUI . Griller sans couvercle.	OUI - À condition de ne remplir qu'aux 3/4. Maintenir à un pouce d'écart des parois du four et ne pas recouvrir de feuille d'aluminium.
Plat à gratin	OUI - Ne pas dépasser la durée de préchauffage recommandée. Suivre le mode d'emploi du fabricant.	NON	NON
Vitrocéramique (Pyroceram®)	OUI - Excellent	OUI - Excellent	OUI - Excellent
Verre calorifuge	OUI - Excellent.	OUI - Excellent	OUI - Excellent
Verre non-calorifuge	NON	NON	NON
Couvercles en verre	OUI	OUI - Griller sans couvercle.	OUI
Couvercles en métal	NON	OUI - Griller sans couvercle.	NON
Casseroles en métal	NON	OUI	OUI - Ne pas employer de couvercles métalliques.
Métaux assortis : plats à rebords métalliques, etc. Ligatures métalliques	NON	NON	NON
Poches de cuisson au four	OUI - Conviennent aux grosses pièces de viande ou aux préparations à attendrir. NE PAS utiliser de ligatures métalliques.	OUI - Griller sans couvercle.	OUI - NE PAS utiliser de ligatures métalliques
Assiettes en carton	OUI - Pour ré chauffer.	NON	NON

RENSEIGNEMENTS UTILES

USTENSILES ET COUVERCLES	MICRO-ONDES SEULEMENT	GRILLADE PAR CONV., CUISSON LENTE	MODE COMBINÉ HAUTE TEMP./RÔTIR MODE COMBINÉ BASSE TEMP./CUISSON AU FOUR
Serviettes en papier	OUI - Comme couvercles au réchauffage et à la cuisson. Ne pas employer de produits recyclés pouvant contenir des fibres métalliques.	NON	NON
Papier allant au four	OUI	OUI - Pour températures jusqu'à 400° F. Ne pas employer pour griller.	OUI - Pour températures jusqu'à 400° F.
Récipients en plastique bons pour micro-ondes	OUI - Pour réchauffer et décongeler. Suivre le mode d'emploi du fabricant.	NON	NON
Plastique, Thermoset®	OUI	OUI - Résiste à la chaleur jusqu'à 425° F. Ne pas employer pour griller.	OUI
Film plastique	OUI. Choisir des marques spécialement indiquées pour micro-ondes. NE PAS placer le film en contact avec les aliments. Percer pour laisser s'échapper la vapeur.	NON	NON
Céramiques, grès, porcelaine	OUI - Voir les recommandations du fabricant pour usage micro-ondes.	OUI	OUI - Doivent être bons pour micro-ondes et cuisson au four.
Polystyrène	OUI - Pour réchauffer.	NON	NON
Papier ciré	OUI - Recommandé comme couvercle à la cuisson et au réchauffage.	NON	NON
Osier, bois, paille	OUI - Convient aux cuissons très courtes. Ne pas employer avec des plats très gras ou très sucrés. Risque de se calciner.	NON	NON

VÉRIFICATION DE RÉCIPIENTS

Pour vérifier qu'un récipient est bon pour micro-ondes, placez-le vide dans le four et réglez sur HIGH pendant 30 secondes. Si le plat chauffe à l'extrême, NE PAS l'utiliser pour la cuisson aux micro-ondes.

ACCESSOIRES

Il y a de nombreux accessoires pour micro-ondes proposés à l'achat. Évaluez-les avec soin avant l'achat pour qu'ils satisfassent bien vos besoins. Un thermomètre compatible avec micro-ondes vous aidera à déterminer le bon degré de cuisson, et assurera que les aliments ont été cuits à des températures sûres quand vous ne cuisez en utilisant que les micro-ondes. Fisher & Paykel n'est pas responsable des éventuels dommages au four en cas d'utilisation d'accessoires.

RENSEIGNEMENTS UTILES

À PROPOS DES ENFANTS ET DU FOUR À MICRO-ONDES

Les enfants de moins de 7 ans ne devraient utiliser le four à micro-ondes que sous la surveillance étroite d'un adulte. Les enfants de 7 à 12 ans devraient utiliser l'appareil sous la surveillance d'un adulte se trouvant dans la même pièce qu'eux.

L'enfant doit être capable d'atteindre facilement le four; sinon, le faire monter sur un tabouret robuste et stable.

Il ne faut jamais s'appuyer ou s'accrocher à la porte du four à micro-ondes. Il faut enseigner les mesures de sécurité aux enfants : employer des gants isolants, enlever les couvercles avec précaution, faire très attention aux contenants d'aliments croustillants qui peuvent devenir très chauds.

Ne pas présumer qu'un enfant qui connaît bien une fonction de l'appareil les connaît toutes.

Les enfants doivent savoir qu'un four à micro-ondes n'est pas un jouet. Voir la page 29 pour obtenir des renseignements sur le verrouillage de sécurité.

À PROPOS DE LA SÉCURITÉ

- Vérifiez que les aliments sont cuits conformément aux températures recommandées par le United States Department of Agriculture (Ministère de l'agriculture des États-Unis).

TEMP	ALIMENTS
160 °F / 71 °C	Pour le porc, la viande hachée, le blanc de poulet sans os, le poisson, les fruits de mer, les œufs frais et les aliments préparés surgelés.
165 °F / 74 °C	Pour les restes de table, les aliments réfrigérés prêts-à-réchauffer, et les aliments frais d'un traiteur ou l'équivalent.
170 °F / 77 °C	Les blancs de volaille.
180 °F / 82 °C	La viande brune de volaille.

Pour vérifier que les aliments sont cuits à point, insérez un thermomètre dans un endroit épais, à l'écart de la graisse et des os. Ne laissez **JAMAIS** le thermomètre dans les aliments qui cuisent, sauf s'il est approuvé pour emploi aux micro-ondes.

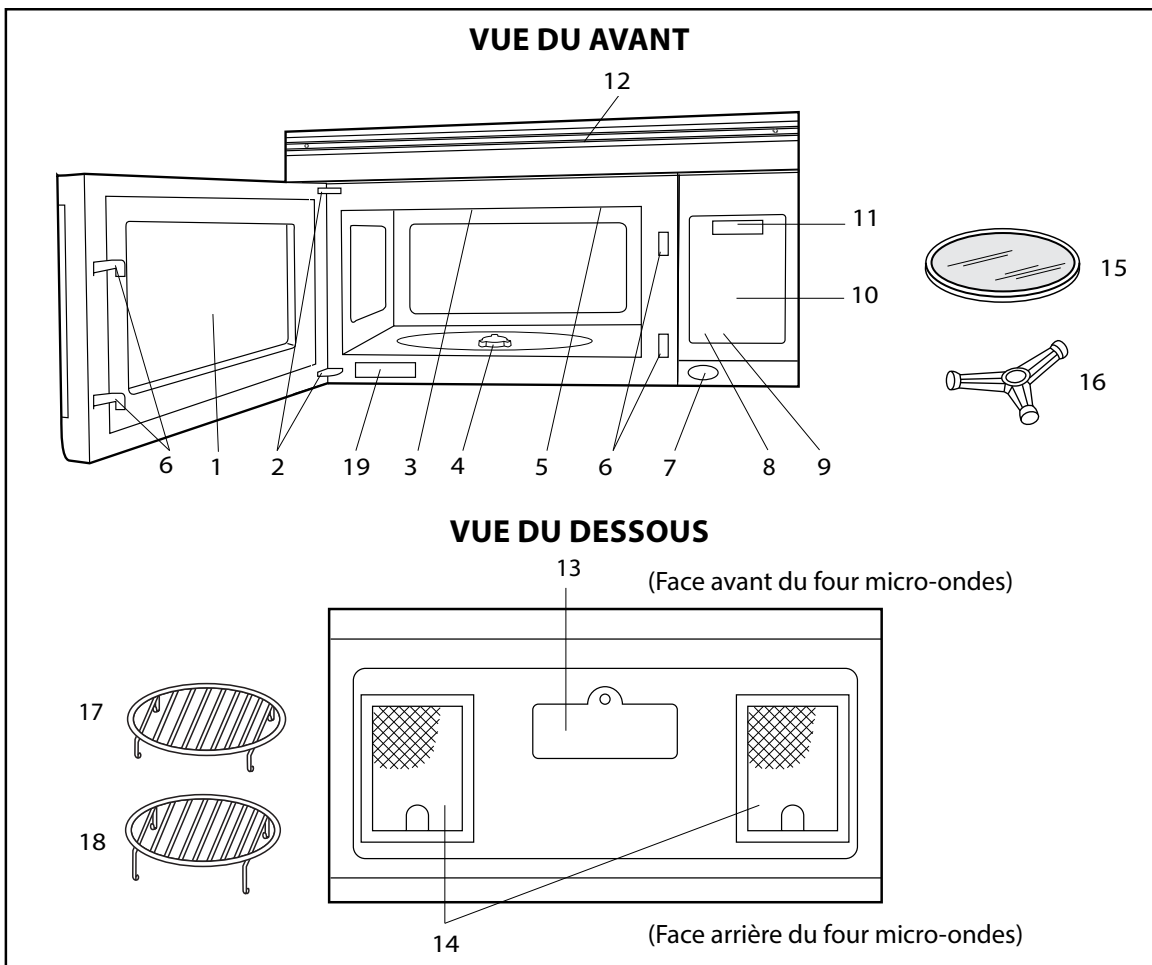
- Employez **TOUJOURS** des gants isolants pour éviter des brûlures quand vous employez des ustensiles qui entrent en contact avec les aliments chauds. La chaleur transférée des aliments aux ustensiles peut provoquer des brûlures.
- Évitez les brûlures dues à la vapeur en dirigeant la vapeur loin de vous. Soulevez doucement ce qui recouvre le plat en commençant par le bord le plus éloigné de vous et ouvrez lentement les sacs de maïs soufflé ou de cuisson en les tenant loin du visage.
- Restez près du four quand il fonctionne et vérifiez fréquemment la cuisson pour éviter une cuisson trop longue.
- N'employez **JAMAIS** la cavité pour entreposer des livres de cuisine ou autres objets.
- Choisissez, entreposez et manipulez la nourriture de manière à préserver sa qualité et minimiser la propagation des bactéries alimentaires.
- Gardez le couvercle du guide d'ondes propre. Les résidus de nourriture peuvent causer des étincelles ou un incendie.
- Retirer les aliments du four en prenant soin de ne pas toucher le système de fermeture de sûreté de la porte avec des ustensiles, ses vêtements ou les accessoires.

RENSEIGNEMENTS UTILES

PRÉPARATION DE DIVERS ALIMENTS

ALIMENT	A FAIRE	A NE PAS FAIRE
Œufs, saucisses noix, graines, fruits et légumes	<ul style="list-style-type: none"> • Percer les jaunes pour éviter qu'ils n'éclatent pendant la cuisson. • Piquer la pelure des pommes de terre, des pommes, des courges ainsi que les saucisses afin de permettre à la vapeur de s'échapper. 	<ul style="list-style-type: none"> • Cuire les œufs dans leur coquille. • Réchauffer des œufs entiers. • Faire sécher les noix ou les graines dans leur écaille.
Maïs	<ul style="list-style-type: none"> • Utiliser seulement du maïs emballé pour micro-ondes. • Attendre que seuls quelques grains isolés éclatent toutes les 1 ou 2 secondes, ou appuyer sur la touche POPCORN. 	<ul style="list-style-type: none"> • Faire éclater des grains de maïs dans des sacs de papier brun ou dans un bol de verre. • Dépasser le temps indiqué sur l'emballage.
Aliments pour bébés	<ul style="list-style-type: none"> • Transférer la nourriture dans de petits plats et faire réchauffer doucement, en remuant souvent. Vérifier la température des aliments avant de servir. • Mettre la tétine sur le biberon après l'avoir réchauffé et bien brassé celui-ci ce dernier faire le «test du poignet» avant de donner le biberon à bébé. 	<ul style="list-style-type: none"> • Faire chauffer les aliments commerciaux pour bébés dans leurs pots. • Faire chauffer des biberons jetables. • Faire chauffer les biberons avec la tétine.
Généralités	<ul style="list-style-type: none"> • Après avoir réchauffé des aliments contenant une garniture, les couper afin de laisser s'échapper la vapeur et d'éviter des brûlures. • Bien mélanger les liquides avant et après la cuisson pour que la chaleur soit uniforme. • Faire cuire les aliments liquides et les céréales dans un bol profond afin d'éviter qu'ils ne débordent. 	<ul style="list-style-type: none"> • Réchauffer ou faire cuire des aliments dans des contenants hermétiques ou fermés en verre. • Préparer des conserves au four à micro-ondes, car des bactéries dangereuses pourraient ne pas être tuées. • Utiliser le four à micro-ondes pour faire de la friture. • Faire sécher du bois, des courges, des herbes ou du papier.

NOMENCLATURE DES PIÈCES



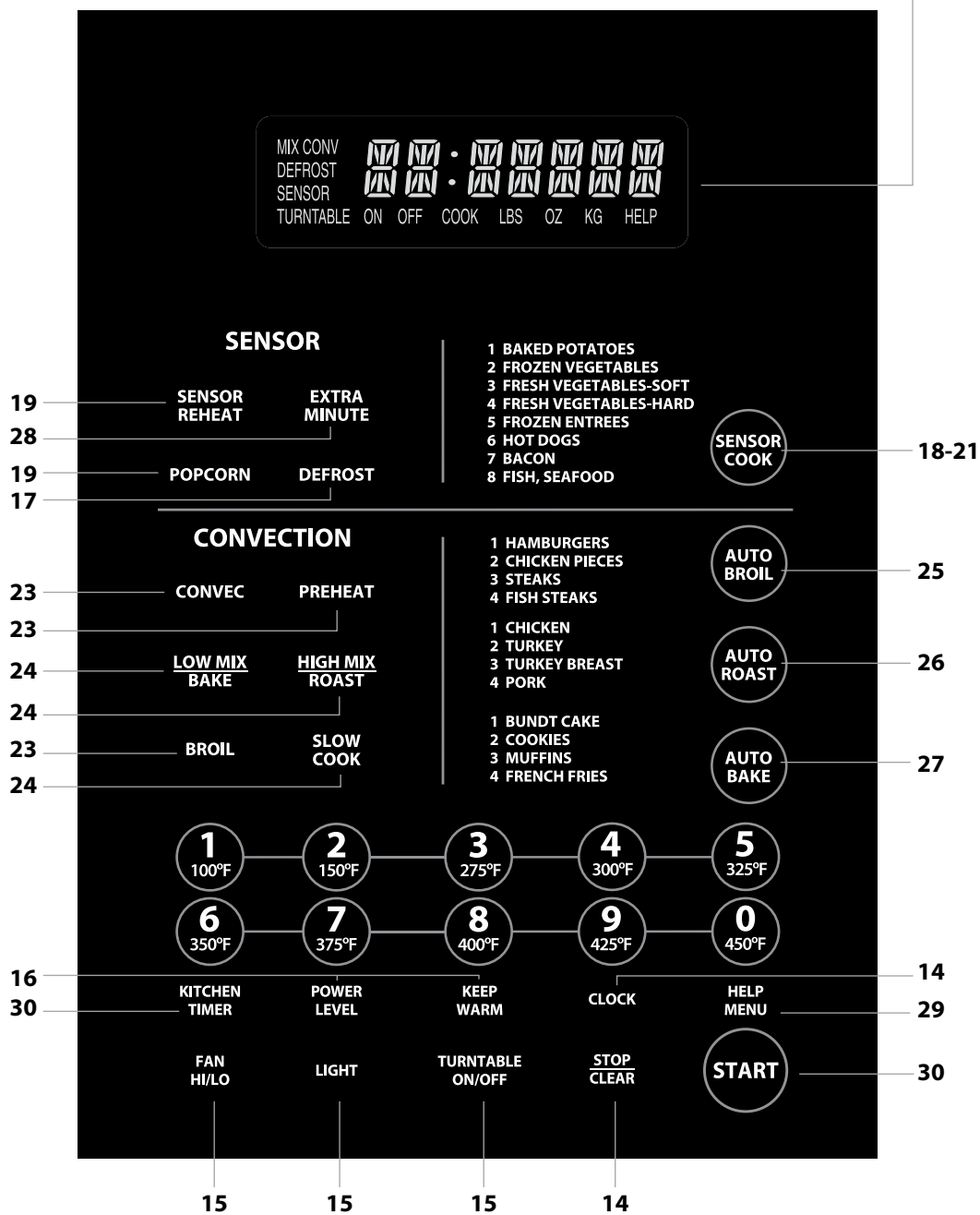
- | | |
|-----------------------------------------------------------------------------------------------------------------------------------------------------------------------------------------------------------------------------------------------------------------------------------------------------------------------------------------------------------------------------------------------------------------------------------------------------------------------------------------------------------------------------------------------------------------------------------------------------------------------------------------------------------------------------------|-------------------------------------------------------------------------------------------------------------------------------------------------------------------------------------------------------------------------------------------------------------------------------------------------------------------------------------------------------------------------------------------------------------------------------------------------------------------------------------------------------------------------------------------------------------------------------------------------------------------------------------------------------------------------------|
| <p>1. Porte à hublot</p> <p>2. Charnières</p> <p>3. Couvercle du guide d'ondes - NE PAS ENLEVER</p> <p>4. Arbre moteur du plateau tournant</p> <p>5. Ampoule du four.
S'allume lorsque le four est en marche ou que la porte est ouverte.</p> <p>6. Loquets de sécurité. Le four ne fonctionne pas si la porte n'est pas correctement fermée.</p> <p>7. Bouton d'une touche DOOR OPEN. Pousser une fois pour ouvrir la porte.</p> <p>8. Bouton FAN HI/LO. Pousser pour activer le ventilateur en position rapide, lente ou arrêt.</p> <p>9. Bouton LIGHT. Pousser en positions de marche/arrêt pour allumer l'ampoule.</p> <p>10. Panneau tactile de commande Auto-Touch.</p> | <p>11. Affichage de minuterie : affichage numérique, 99 minutes, 99 secondes.</p> <p>12. Ouvertures de ventilation.</p> <p>13. Couvercle de l'éclairage.</p> <p>14. Filtres à graisses.</p> <p>15. Plateau tournant en céramique, amovible. Le plateau tourne dans ou contre le sens des aiguilles d'une montre. Ne retirer que pour nettoyer.</p> <p>16. Support du plateau tournant. Placer le support au fond du four et le plateau tournant sur le support.</p> <p>17. Grille inférieure, amovible, pour griller ou rôti des viandes et volailles au four.</p> <p>18. Grille supérieure, amovible, pour cuisson superposée.</p> <p>19. Étiquette des caractéristiques</p> |
|-----------------------------------------------------------------------------------------------------------------------------------------------------------------------------------------------------------------------------------------------------------------------------------------------------------------------------------------------------------------------------------------------------------------------------------------------------------------------------------------------------------------------------------------------------------------------------------------------------------------------------------------------------------------------------------|-------------------------------------------------------------------------------------------------------------------------------------------------------------------------------------------------------------------------------------------------------------------------------------------------------------------------------------------------------------------------------------------------------------------------------------------------------------------------------------------------------------------------------------------------------------------------------------------------------------------------------------------------------------------------------|

NOMENCLATURE DES PIÈCES

TABLEAU DE COMMANDE

AFFICHAGE DU PANNEAU DE CONTRÔLE

Des mots apparaîtront dans l'affichage pour indiquer les caractéristiques et les instructions de cuisson.



Les chiffres en marge de l'illustration du tableau de commande renvoient aux pages où sont décrits les caractéristiques et les renseignements concernant le mode d'emploi.

AVANT L'USAGE

- Avant d'utiliser ce four, prendre la peine de lire intégralement ce mode d'emploi.
- Avant d'utiliser le four, procéder ainsi :
 1. Brancher la fiche du cordon d'alimentation. Fermer la porte. La phrase *WELCOME PRESS CLEAR AND PRESS CLOCK*.
 2. Appuyer sur la touche STOP/CLEAR. L'indication : s'affiche.
 3. Touche CLOCK et suivez les directives de réglage.

RÉGLAGE DE L'HORLOGE

1. Appuyer sur la touche CLOCK.
2. Entrer l'heure correcte de la journée en appuyant sur les touches numériques.
3. Appuyer à nouveau sur la touche CLOCK.

Cette horloge est conçue selon un cycle de 12 heures. En cas d'entrée d'une heure non valable, l'indication *ERROR* s'affiche. Appuyer sur la touche STOP/CLEAR et entrer l'heure correcte.

- Si l'alimentation électrique du four à micro-ondes est coupée, l'indication *WELCOME PRESS CLEAR AND PRESS CLOCK* s'affiche et clignote dès que l'alimentation est rétablie. Si cela se produit durant la cuisson, le programme de cuisson et l'heure de la journée seront effacés. Appuyer sur la touche STOP/CLEAR et remettre l'horloge à l'heure.

Remarque : Le four peut se programmer avec la porte ouverte, à l'exception des fonctions START, EASY MINUTE, SENSOR REHEAT et POPCORN.

STOP/CLEAR (ARRÊT/ANNULATION)

Utiliser la touche STOP/CLEAR pour :

1. Effacer une erreur durant la programmation.
2. Annuler le fonctionnement de la minuterie.
3. Arrêter le four temporairement durant la cuisson.
4. Afficher l'heure actuelle.
5. Annuler un programme durant la cuisson, toucher deux fois.

FONCTIONNEMENT MANUEL DU FOUR À MICRO-ONDES

MARCHE/ARRÊT DU PLATEAU TOURNANT

Le plateau tournant est activé pour la plupart des préparations ; il peut cependant être désactivé lorsqu'il reçoit de grands plats tels que le plat en verre fréquemment utilisé de 13 po x 9 po x 2 po. Placez cet ustensile bien à plat sur le plateau tournant.

- Pour cuire une lasagne dans un plat de 13 po x 9 po x 2 po pendant 45 minutes à 40 % de puissance :
 1. Appuyer sur la touche TURNTABLE ON/OFF et notez *TURNTABLE OFF* à l'affichage.
 2. Entrer la durée de cuisson en composant 4500 aux touches numériques.
 3. Appuyer sur la touche POWER LEVEL et entrer le chiffre 4.
 4. Appuyer sur la touche START.

Remarques :

Ouvrez la porte pour surveiller la cuisson : le plateau tournant restera en arrêt. Après avoir examiné la préparation, refermez la porte et touchez START.

Le plateau tournant reste en arrêt pendant une minute après l'ouverture de la porte lorsque l'heure s'affiche. Le four peut être reprogrammé pendant cette minute sans touche TURNTABLE ON/OFF. L'affichage indique toujours si le plateau tournant est en marche ou en arrêt.

LE PLATEAU TOURNANT DOIT TOUJOURS ÊTRE EN POSITION DE MARCHE LORSQUE LES FONCTIONS SPÉCIALES SONT ACTIVÉES. La fonction ON/OFF peut s'utiliser en modes de cuisson manuelle et avec réchauffage par capteur. Le plateau tournant passe automatiquement à l'état de marche lorsque vous choisissez le mode de cuisson automatique, à l'exception.

Pour la cuisson de grandes quantités ne pouvant être remuées, un niveau de 40 ou 50 % de puissance est conseillé. La cuisson peut alors être accélérée en programmant 5 ou 10 minutes à un niveau de 100 % (HIGH) suivi du temps voulu à puissance inférieure. Voir la page 25 pour la programmation de séquences multiples. Si vous souhaitez changer une fois la position d'un grand récipient à mi-cuisson, ouvrez la porte, ajustez la position, refermez et touchez START.

FAN / LIGHT (LAMPE / VENTILATEUR DE HOTTE)

Le four comporte une lampe et un ventilateur de hotte qui fonctionnent que la porte soit ouverte ou fermée.

Pour activer la lampe, touchez une fois sur LIGHT. Pour l'éteindre, touchez LIGHT à nouveau.

Pour activer le ventilateur, touchez FAN HI/LO une fois pour la plus haute vitesse, deux fois pour une vitesse plus lente ou trois fois pour l'arrêter. Lorsque ventilateur est mis manuellement sur, "H" sera affiché sur l'écran. Lorsque le ventilateur est éteint, "H" disparaît de l'affichage.

CUISSON PAR MICRO-ONDES

Le four peut être programmé pour 99 minutes 99 secondes (99.99). Indiquer les secondes après les minutes même si le nombre de secondes est égal à zéro.

- Supposons que l'on veuille cuire pendant 5 minutes à 100 %.
 1. Entrer la durée de cuisson en composant 500 aux touches numériques.
 2. Appuyer sur la touche START.

FONCTIONNEMENT MANUEL DU FOUR À MICRO-ONDES

KEEP WARM (MAINTEN AU CHAUD)

KEEP WARM se programme uniquement en opération manuelle ou en tant que programme séparé.

- Pour faire rôtir une pomme de terre pendant 4 minutes à 100 % de puissance et la tenir au chaud pendant 30 minutes après la cuisson :

1. Appuyer sur la touche la durée de cuisson voulue 400 pour une pomme de terre rôtie.
2. Appuyer sur la touche KEEP WARM.
3. Appuyer sur la touche START.

A la fin du temps de cuisson, KEEP WARM s'affiche pour indiquer que la préparation reste au chaud pendant les 30 minutes.

Pour employer KEEP WARM comme programme séparé, touche KEEP WARM pendant la première minute après le début de cuisson, l'ouverture ou fermeture de la porte, ou une touche sur STOP/CLEAR.

RÉGLAGE DU NIVEAU DE PUISSANCE

Onze niveaux de puissance sont prévus. Plus le niveau de puissance est faible, plus le temps de cuisson est long, ce qui est conseillé pour les aliments tels que le fromage, le lait ou les viandes qui exigent une cuisson lente. Consulter un livre de cuisine ou de recettes pour chaque cas particulier.

POWER LEVEL	100%	High (élevé)
9	90%	
8	80%	
7	70%	Medium High (mi-élevé)
6	60%	
5	50%	Medium (moyen)
4	40%	
3	30%	Med Low/Defrost (mi-faible/décongélation)
2	20%	
1	10%	Low (faible)
0	0%	

- Supposons que l'on veuille décongeler des aliments pendant 5 minutes à 30 %.
1. Entrer la durée de décongélation en composant 500 aux touches numériques.
 2. Appuyer sur la touche POWER LEVEL et entrer le chiffre 3.
 3. Appuyer sur la touche START.

MICRO-ONDES PARTICULARITÉS

DEFROST (DÉCONGÉLATION)

DEFROST décongèle automatiquement la viande hachée, les biftecks et le poulet découpé.

- Pour décongeler un bifteck de 2 livres.
1. Appuyer sur la touche une fois sur DEFROST. Touche ensuite deux fois de plus sur DEFROST pour la sélection BIFTECK.
 2. Entrer le poids en composant 20 sur les touches numériques.
 3. Appuyer sur la touche START.

Le four va s'arrêter et des instructions seront affichées. Suivre le message indiqué.

4. Après la première étape, ouvrir la porte. Retourner la tranche et protéger toutes les parties chaudes. Refermer la porte. Toucher la commande START.
5. Après la seconde étape, ouvrir la porte. Protéger toutes les parties chaudes. Refermer la porte. Toucher la commande START.
6. Après la fin du cycle de décongélation, couvrir et laisser reposer comme indiqué sur le tableau qui suit.

Remarques :

1. Le poids peut être entré en incréments de 0,1 livre. Si vous tentez d'entrer plus ou moins que la quantité permise, un message d'erreur s'affiche.

2. La décongélation peut être programmée avec un réglage de plus ou moins de temps d'ajustement. Voir en page 28.

3. Pour décongeler d'autres aliments ou ces aliments à des poids inférieurs ou supérieurs à ceux indiqués au tableau de décongélation, voir en page 18 : Décongélation manuelle.

TABLEAU DEFROST (DÉCONGÉLATION)

TOUCHE AUTO DEFROST*	ALIMENT	QUANTITÉ	MARCHE À SUIVRE
Une fois	Viande hachée	0,5 à 3.0 livres (0,3 à 1,3 kg)	Enlevez les morceaux décongelés après chaque étape. Laissez reposer à couvert pour 5 à 10 minutes.
Deux fois	Bifteck (côtelettes) (poisson)	0,5 à 4,0 livres (0,3 à 1,8 kg)	Après chaque étape de cycle de décongélation, réarrangez et protégez avec des petits morceaux lisses de feuille d'aluminium. Enlevez toute viande ou poisson presque décongelé. Laissez reposer couvert pour 10 à 20 minutes.
Trois fois	Poulet découpé	0,5 à 3.0 livres (0,3 à 1,3 kg)	Après chaque étape de cycle de décongélation, réarrangez ou enlevez toutes pièces chaudes ou décongelées. Laissez reposer couvert pour 10 à 20 minutes.

* Nombre de touches APRÈS la touche initiale pour accéder à DEFROST.

Remarques :

Vérifiez les aliments dès que le four émet un signal. Après l'étape finale, quelques petites parties restent quelquefois glacées. Laissez reposer pour terminer la décongélation. Ne pas décongeler avant que tous les cristaux de glace se soient dégivrés.

Couvrez ou protégez afin d'empêcher toute cuisson avant la décongélation au coeur de l'aliment. Appliquez des bandelettes lisses de feuille d'aluminium pour recouvrir les bords et les sections minces de l'aliment.

MICRO-ONDES PARTICULARITÉS

DÉCONGÉLATION MANUELLE

Si les aliments à décongeler ne figurent pas au tableau Defrost, ou s'ils pèsent plus ou moins que les quantités limites du tableau, la décongélation doit se faire manuellement.

Tout aliment surgelé, cuit ou cru, peut être décongelé au niveau 3 de puissance. Suivez exactement les trois étapes de procédure de la section Cuisson-temps à la page 16. Estimez la durée de décongélation et appuyez sur le 3 pour un niveau de 30 % de puissance.

La règle générale est de 5 minutes par livre pour les aliments crus ou déjà cuits. Par exemple, décongelez pendant 5 minutes pour une quantité de 2 à 3 tasses de plat préparé ou pour une livre de sauce congelée pour spaghettis.

Arrêtez toujours le four à intervalles pour enlever ou séparer les parties déjà décongelées. Si la décongélation n'est pas terminée à la fin de la durée prévue, programmez le four en incréments d'une minute au niveau de puissance 3 jusqu'à décongélation totale.

Les récipients en plastique sortant du congélateur se dégivrent juste assez pour en transférer le contenu dans un plat bon pour micro-ondes.

CUISSON PAR CAPTEUR

Le capteur est un dispositif à semi-conducteur qui décèle la vapeur (humidité) émise par les aliments qui sont chauffés. Il permet de régler les durées de cuisson et la puissance de chauffe en fonction des divers aliments et de leur quantité.

Utilisation des réglages du capteur :

1. La température ambiante ne doit pas dépasser 95°F.
2. Assurez-vous que l'extérieur du plat de cuisson et l'intérieur du four sont secs. Essayez toute humidité avec un linge ou une serviette en papier bien secs.
3. Les réglages de cuisson par capteur ne peuvent se programmer que pendant la première minute après le début de cuisson, l'ouverture ou fermeture de la porte, ou une touche sur STOP/CLEAR.
4. Pendant la première partie du cycle de cuisson par capteur, *SENSOR REHEAT*, *POPCORN REGULAR SENSOR*, *BAKED POTATO*, *FROZEN VEG*, *SOFT FRESH VEG*, *HARD FRESH VEG*, *FROZEN ENTREE*, *HOT DOGS*, *BACON* ou apparaissent à l'affichage. Ne pas ouvrir la porte du four ni toucher STOP/CLEAR au cours de cette étape du cycle sous risque d'interrompre les mesures d'émission de vapeur. En cas de telle interruption, la cuisson par capteur s'interrompt avec l'affichage de *ERROR*. Pour reprendre la cuisson, touchez STOP/CLEAR et sélectionnez le temps de cuisson ainsi que le niveau. Lorsque le capteur détecte les vapeurs émises par les aliments, le temps de cuisson encore nécessaire apparaît à l'affichage. Les aliments peuvent maintenant être remués ou assaisonnés à volonté.
5. Vérifiez si les plats préparés par capteur sont cuits. Si la cuisson n'a pas suffi, continuez sous puissance et durée variables.
6. Si le capteur ne détecte pas de vapeurs, *ERROR* s'affiche et le four se met en arrêt.
7. À la conclusion de tout cycle, ouvrez la porte ou touchez STOP/CLEAR. L'heure actuelle revient à l'affichage.
8. Tout réglage de capteur peut se programmer avec ajustement de plus ou moins de temps. Voir la page 28.

Sélection d'aliments :

1. Le capteur fonctionne avec les aliments à température normale de conservation. Par exemple, les plats à réchauffer seront à la température du réfrigérateur, et les pommes de terre à rôtir seraient à température ambiante.
2. Les quantités supérieures ou inférieures aux valeurs citées dans les tableaux se cuisent sous durées et niveaux de puissance variables.

MICRO-ONDES PARTICULARITÉS

Couvercles d'aliments :

Certaines préparations réussissent mieux sous couvercle. Utilisez le mode de couverture recommandé dans les tableaux citant ces aliments.

1. Couvercle de cocotte.
2. Film plastique : utilisez les produits recommandés pour la cuisine micro-ondes. Couvrez légèrement, en laissant environ 1/2 po à découvert pour permettre aux vapeurs de s'échapper. Le film plastique ne doit pas être en contact avec les aliments.
3. Serviettes en papier : utilisez pour absorber l'excédent de graisse et d'humidité du bacon et des pommes de terre. Recouvrez le plateau tournant pour faire rôtir les pommes de terre.
4. Papier ciré : recouvrez le récipient complètement ; repliez le papier sous le plat de cuisson pour le maintenir en place. Si le papier est plus étroit que le récipient, utilisez deux couches se chevauchant d'au moins 1 po.

SENSORS (CAPTEURS)

Le four comporte des capteurs instantanés pour popcorn et réchauffage. Pour s'en servir, il suffit de toucher leurs commandes afin que le four démarre automatiquement. Tout réglage de capteur peut se programmer avec des ajustement de plus ou moins de temps. Voir la page 28.

SENSOR REHEAT (CAPTEUR DE RÉCHAUFFAGE)

Plateau tournant en marche :

De nombreux plats peuvent se réchauffer en touchant une seule commande, sans avoir à recalculer la durée ou la puissance nécessaire. Pour réchauffer lorsque le plateau tournant est en marche, touchez simplement SENSOR REHEAT.

Touche SENSOR REHEAT. (Remarque : la commande est programmable avec le plateau tournant en marche ou en arrêt). *SENSOR REHEAT* s'affiche à plusieurs reprises. Lorsque le capteur perçoit les vapeurs émises par les aliments, le temps restant de cuisson s'affiche. *LET STAND COVER* apparaît à l'affichage après la cuisson.

Plateau tournant en arrêt :

Vous pouvez réchauffer un plat dans une cocotte de 11 po x 8 po x 2 po ou 13 po x 9 po x 2 po avec le plateau tournant en arrêt. Touchez d'abord TURNTABLE ON/OFF et notez l'indication affichée. Touchez ensuite SENSOR REHEAT. L'affichage indique que le plateau tournant est en arrêt, et le four démarre automatiquement. *LET STAND COVER* apparaît à l'affichage après la cuisson.

POPCORN

- Pour préparer un sac de 3,5 onces de popcorn :

Touchez POPCORN une fois. *SENSOR POPCORN REGULAR* s'affiche à plusieurs reprises. *END* s'affiche après la cuisson.

Ce réglage de capteur convient à la plupart des marques de popcorn à cuire aux micro-ondes. Faites quelques essais pour choisir votre marque préférée. Préparez un seul sac à la fois. Dépliez le sac et préparez selon le mode d'emploi fourni.

MICRO-ONDES PARTICULARITÉS

TABLEAU SENSOR (CAPTEUR)

ALIMENT	QUANTITÉ	MARCHE À SUIVRE
Restes de riz, pommes de terre, légumes, plats préparés ou autres	4 à 32 onces	Placez dans un récipient ou cocotte légèrement plus grand que la quantité à réchauffer. Aplatissez le contenu si possible. Couvrez d'un couvercle, film plastique ou papier ciré. Couvrez de film plastique ou couvercle pour les quantités importantes ou les aliments à consistance épaisse tels que les ragoûts.
Soupes	1 à 4 tasses	Remuez si possible le plat réchauffé, qui doit être très chaud. Sinon, continuez à réchauffer à puissance et durée variables. Une fois remué, couvrez le plat et laissez reposer 2 ou 3 minutes.
Plats principaux et légumes en conserves	4 à 16 onces	Ajustez pour moins de temps en touchant POWER LEVEL deux fois pour de petites quantités de légumes en conserves.
Assiette assortie 1 assiette	3 à 6 onces de viande plus légumes et/ou pommes de terre/riz°	Utilisez cette touche pour réchauffer des plats déjà cuits sortis du réfrigérateur. Placez les portions de viande et les gros morceaux de légumes à l'écart du centre de l'assiette. Découpez les gros morceaux tels que les pommes de terre. Aplatissez les aliments tels que la purée et autres préparations à consistance épaisse. Couvrez de papier ciré ou de film plastique. UNE ASSIETTE SEULEMENT. Après la cuisson, vérifiez que les préparations sont très chaudes de part en part et que le dessous du centre de l'assiette est très chaud. Sinon, continuez à réchauffer par durée et niveau de puissance. Laissez reposer recouvert pendant 2 ou 3 minutes.
Popcorn	Un seul sac à la fois	N'utilisez que du popcorn conditionné pour cuisson micro-ondes. Faites quelques essais pour choisir votre marque préférée. N'essayez pas de faire éclater les grains restés entiers. Ajustez par plus ou moins de temps si nécessaire, pour accommoder les grains plus mûrs ou les préférences de chacun.
	Sac de 3,0-3,5 onces (taille courante)	Appuyez une fois sur la commande POPCORN. Ce réglage fonctionne bien pour les sacs de cette taille.
	Sac de 1,5-1,75 onces (format snack)	Appuyez deux fois sur la commande POPCORN.

MICRO-ONDES PARTICULARITÉS

SENSOR COOK (CUISSON AU CAPTEUR)

- Suppose you want to cook a baked potato:
 1. Appuyer sur la touche SENSOR COOK.
 2. Sélectionnez le paramétrage voulu du capteur. Par exemple actionnez 1 cour cuire des pommes de terre au four.
 3. Appuyez sur la touche START. Quand le capteur détecte la vapeur émise par l'aliment à cuire, la durée restante de cuisson apparaît.

Ouvrez la porte et touche STOP/CLEAR. L'heure actuelle apparaît à l'affichage.

TABLEAU SENSOR COOK (CUISSON AU CAPTEUR)

ALIMENT	QUANTITÉ	MARCHE À SUIVRE
1. BAKED POTATOES	1-6 moyennes	Percez. Placez sur le plateau tournant recouvert de serviette en papier. Après la cuisson, retirez du four, enveloppez de feuille d'aluminium et laissez reposer 5 à 10 minutes.
2. FROZEN VEGETABLES	1 à 6 tasses	Mettez sous couvercle ou film plastique. Après la cuisson, remuez et laissez reposer recouvert pendant 3 minutes.
3. FRESH VEGETABLES-SOFT		Lavez et placez dans un récipient. Ne pas ajouter d'eau si les légumes viennent d'être lavés. Posez un couvercle pour des légumes tendres, ou du film plastique pour une cuisson plus croquante. Remuez si possible avant de laissez reposer. Après la cuisson, laissez reposer recouvert de 2 à 5 minutes.
Brocoli	0,25 à 2,0 livres	
Choux de Bruxelles	0,25 à 2,0 livres	
Chou	0,25 à 2,0 livres	
Chou-fleur (en bouquets)	0,25 à 2,0 livres	
Chou-fleur (entier)	1 moyen	
Épinards	0,25 à 1,0 livres	
Zucchini	0,25 à 2,0 livres	
Pommes cuites	2 à 4 moyen	
4. FRESH VEGETABLES-HARD		Placez dans une casserole. Ajoutez 1 à 4 cuillères à soupe d'eau. Posez un couvercle sur les légumes à cuisson tendre, ou du film plastique pour une cuisson plus croquante. Remuez si possible avant de laissez reposer. Après cuisson, laissez reposer recouvert de 2 à 5 minutes.
Carottes en tranches	0,25 à 1,5 livres	
Maïs en épi	2 à 4 pièces	
Haricots verts	0,25 à 1,5 livres	
Courges, en dés	0,25 à 1,5 livres	
Coupées en moitié	1 à 2	
5. FROZEN ENTREES	6 à 17 onces	Utilisez pour les légumes surgelés prêts à servir. Les résultats seront bons dans la plupart des cas. Faites quelques essais pour trouver votre marque préférée. Défaites l'emballage extérieur et suivez les indications concernant les couvercles. Après la cuisson, laissez reposer recouvert de 1 à 3 minutes.
6. HOT DOGS	1 à 4 portions	Placez la saucisse dans son petit pain et enveloppez d'une serviette en papier.
7. BACON	2 à 6 tranches	Placez le bacon sur une assiette en carton recouverte d'une serviette en papier. Le bacon ne doit pas dépasser hors de l'assiette. Couvrez d'une serviette en papier.
8. FISH, SEAFOOD	0,25 à 2,0 livres	Disposez en rond sur un plat en verre peu profond (enroulez les filets afin qu'ils reposent sur leurs bords repliés). Recouvrez de film plastique. Après la cuisson, laissez reposer recouverts pendant 3 minutes.

MICRO-ONDES PARTICULARITÉS

RECETTES DE CUISSON AU CAPTEUR

Mousse aux canneberges

Pour 6 à 8 personnes

2	tasses de canneberges fraîches	500 ml
1	tasse d'eau	250 ml
$\frac{3}{4}$	tasse de sucre	175 ml
1	boîte (3 onces) de gélatine à l'orange	90 g
$\frac{1}{2}$	chopine de crème à fouetter, fouettée OU	250 ml
1	boîte (8 onces) de gamiture non laitière à dessert	230 g

1. Mélanger les canneberges, l'eau et le sucre dans un bol de 2 pintes/2l. Couvrir de papier ciré. Cuire au four en utilisant le réglage FRESH VEGETABLES - SOFT. Égoutter les canneberges et conserver le jus.
2. Ajouter suffisamment d'eau pour obtenir 2 tasses/500 ml. Dissoudre complètement la gélatine dans ce jus chauffé. Couvrir de papier ciré. Cuire au four en utilisant le réglage SENSOR REHEAT Moins.
3. Ajouter les canneberges et laisser refroidir. Placer au réfrigérateur jusqu'à l'obtention d'un produit consistant. Napper alors les canneberges de crème fouettée. Verser dans les bois à desserts avec une cuiller et garnir de crème fouettée. Conserver au réfrigérateur jusqu'au moment de servir.

Tranches de pommes glacées

Pour 6 à 8 personnes

$\frac{1}{4}$	tasse de cassonade	50 ml
3	c. à soupe de margarine ou de beurre	50 ml
2	c. à soupe de confiture d'abricots	30 ml
$\frac{1}{2}$	c. à thé de muscade moulue	2 ml
$\frac{1}{4}$	c. à thé de sel	1 ml
$\frac{1}{2}$	tasse de sucre	125 ml
$\frac{3}{4}$	tasse de jus d'orange	175 ml
1	c. à soupe de fécule de maïs	15 ml
4	pommes à cuire au four (environ 0,7 kg (1,5 lb)) pelées et couplées en 8 morceaux chacune	700 g
3	c. à soupe de pistaches vertes, hachées	50 ml

1. Mélanger la cassonade, la margarine et la confiture d'abricots dans un petit bol. Faire cuire au four en utilisant le réglage HIGH (100%) pendant 45 secondes à 1 minute, le temps nécessaire pour fondre la margarine et ramollir la confiture. Ajouter la muscade, le sel, le sucre, le jus d'orange et la fécule de maïs. Cuire au four de 4 à 6 minutes en utilisant le réglage HIGH (100%) jusqu'à épaississement, en remuant plusieurs fois.
2. Disposer les tranches de pommes dans un grand plat de service allant au four à micro-ondes. Napper les pommes de la préparation chaude. Bien couvrir d'une pellicule plastique percée de trous. Cuire au four en utilisant le réglage FRESH VEGETABLES - SOFT. Laisser refroidir 5 minutes avant de servir.
3. Parsemer de pistaches. Servir seul ou accompagné de crème glacée à la vanille ou d'un gâteau éponge

Filets de plie

Pour 4 personnes

$\frac{3}{4}$	tasse de flocons de maïs	175 ml
3	c. à soupe de persil, haché	50 ml
2	c. à thé d'écorce de citron, râpée	10 ml
$\frac{1}{2}$	c. à thé de paprika	2 ml
1	livre de filets de plie	500 g
1	oeuf, légèrement battu	1
	Sauce tartare ou à cocktail, optionnel	

1. Sur du papier ciré, mélanger les flocons de maïs, le persil, l'écorce de citron et le paprika. Tremper les filets dans l'oeuf battu, puis les enrober du mélange de flocons.
2. Placer le poisson dans un plat couvert allant au four à micro-ondes. Cuire en utilisant le réglage FISH, SEAFOOD.
3. Servir avec de la sauce tartare ou à cocktail ou du fromage fondu.

CUISSON PAR CONVECTION/ COMBINAISON AUTOMATIQUE


Cette section vous fournit des instructions et procédures de cuisson spécifiques. Le four ne doit pas être utilisé sans le plateau tournant en place, et rien ne doit l'empêcher de tourner librement. Vous pouvez enlever la table tournante pour préchauffer le four, et pour préparer les aliments à cuire directement dessus.

Attention : L'enceinte, la chambre, la porte le plateau tournant, les supports et les plats du four à micro-ondes deviennent chauds. Pour ÉVITER LES BRÛLURES, utilisez des gants épais pour four en enlevant les aliments ou le plateau tournant du four.

CUISSON PAR CONVECTION



Le chauffage par convection fait circuler l'air chaud dans tout l'espace du four pour que les aliments deviennent rapidement dorés et croustillants de part en part. Ce four peut se programmer à dix températures différentes de cuisson par convection pour un maximum de 99 minutes, 99 secondes.

CUIRE PAR CONVECTION

- Pour une cuisson de 20 minutes à 350° F :
 1. Appuyer sur la touche CONVEC.
 2. Sélectionner la température en actionnant la touche numérique .
 3. Entrer la durée de cuisson en sélectionnant 2000 aux touches numériques.
 4. Appuyer sur la touche START.

PRÉCHAUFFAGE ET CUISSON PAR CONVECTION

Le four peut se programmer pour combiner les fonctions de préchauffage et de cuisson par convection. La convection POPCORN peut être réglée à la même température que le préchauffage ou à une température plus ou moins élevée.

- Pour un préchauffage à 350° F suivi d'une cuisson de 25 minutes à 375° F par convection :
 1. Appuyer sur la touche PREHEAT.
 2. Sélectionner la température en actionnant la touche numérique .
 3. Appuyer sur la touche CONVEC.
 4. Sélectionner la température en actionnant la touche numérique .
 5. Entrer la durée de cuisson en sélectionnant 2500 aux touches numériques.
 6. Appuyer sur la touche START.

Lorsque le four atteint la température programmée, il retient automatiquement la température de préchauffage pendant 30 minutes. L'affichage revient ensuite à l'heure actuelle. Lorsque STOP/CLEAR est touché pendant cet intervalle de temps, touche CONVEC ou touche MIX apparaissent à l'affichage et le mode de cuisson ainsi que sa durée peuvent être entrés.

Remarque : Pour préchauffer et cuire à la même température, entrez la même valeur aux étapes 2 et 3.

BROIL (GRIL)

Le préchauffage est automatique au réglage de grillade. Entrez simplement la durée voulue de grillade et attendez la fin du préchauffage pour introduire les aliments. (Préréglage à 450° F). La température du four ne peut pas être modifiée.

- Pour faire griller une tranche de jambon pendant 15 minutes :
 1. Appuyer sur la touche BROIL.
 2. Entrer la durée de cuisson en sélectionnant 1500 aux touches numériques.
 3. Appuyer sur la touche START.

CUISSON PAR CONVECTION/ COMBINAISON AUTOMATIQUE

SLOW COOK (CUISSON LENTE)

La cuisson lente est pré-réglée à 300° F et programmée pour 4 heures de cuisson. Cette température peut être réduite à moins de 300° F. Touchez simplement SLOW COOK puis les touches chiffrées pour obtenir une température inférieure à 300° F.

1. Appuyer sur la touche SLOW COOK.
2. Appuyer sur la touche START. Le four commence le minutage et continue pendant 4 heures.

CUISSON AUTOMATIQUE COMBINÉE

Ce four possède deux réglages préprogrammés facilitant une cuisson automatique par convection et micro-ondes combinées.

	TEMPÉRATURE DU FOUR	PUISSANCE MICRO-ONDES
HIGH MIX	325° F	30%
LOW MIX	325° F	10%

À l'exception d'aliments donnant de meilleurs résultats par convection seule, la plupart des plats se prêtent très bien à la cuisson combinée au moyen de LOW MIX/BAKE ou de HIGH MIX/ROAST.

La combinaison de ces deux modes de cuisson produit des viandes juteuses, des gâteaux moelleux et des pains de consistance très fine, avec des résultats toujours croustillants et dorés à point.

Les températures peuvent se modifier mais non pas la puissance micro-ondes.

La température du four peut se régler de 100° F à 450° F. Pour la modifier, touchez d'abord HIGH MIX ou LOW MIX; touchez ensuite la même commande une deuxième fois. À l'affichage, *SELECT TEMP* touchez les chiffres voulus pour la température. Par exemple : HIGH MIX, HIGH MIX, touche 7. La température combinée se modifie alors automatiquement.

POUR CUIRE AVEC COMBINAISON AUTOMATIQUE

- Pour cuire un gâteau en combinaison à niveau faible pendant 20 minutes :
 1. Appuyer sur la touche LOW MIX/BAKE.
 2. Entrer la durée de cuisson en sélectionnant 2000 aux touches numériques.
 3. Appuyer sur la touche START.

POUR PRÉCHAUFFER ET CUIRE AVEC COMBINAISON AUTOMATIQUE

Le four peut se programmer à la fois pour le préchauffage et les étapes de cuisson automatique combinée. Le préchauffage peut s'exécuter à la température pré-réglée combinée ou être changé à une autre température.

- Pour un préchauffage à 350° F suivi d'une cuisson au four de 25 minutes à 300° F réglée sur une combinaison à niveau faible :
 1. Appuyer sur la touche PREHEAT.
 2. Sélectionner la température en actionnant la touche numérique **6** 350°F.
 3. Appuyer sur la touche LOW MIX. Actionner de nouveau LOW MIX pour modifier la température de cuisson.
 4. Sélectionner la température en actionnant la touche numérique **4** 300°F.
 5. Entrer la durée de cuisson en sélectionnant 2500 aux touches numériques.
 6. Appuyer sur la touche START.

À la fin du cycle de cuisson, une tonalité prolongée se fait entendre et l'affichage *END* apparaît.

CONVECTION AUTOMATIQUE COMBINÉE FONCTIONS

Cette section du manuel d'opérations explique la préparation de 12 plats populaires utilisant les fonctions de grillade AUTO BROIL, de rôtissage AUTO ROAST et de four AUTO BAKE.

Après avoir sélectionné la fonction voulue, suivez les indications de l'affichage.

Pour des conseils pratiques, touchez simplement HELP MENU lorsque le message d'aide HELP s'allume en affichage.

Attention : L'enceinte, la chambre, la porte le plateau tournant, les supports et les plats du four à micro-ondes deviennent chauds. Pour ÉVITER LES BRÛLURES, utilisez des gants épais pour four en enlevant les aliments ou le plateau tournant du four.

AUTO BROIL (VOÛTE AUTOMATIQUE)

AUTO BROIL fait griller automatiquement les hamburgers, le poulet en morceaux, les biftecks et les tranches de poisson.

- Pour faire griller deux hamburgers :
 1. Appuyer sur la touche AUTO BROIL.
 2. Sélectionnez le réglage voulu. Par exemple pour des hamburgers entrez 1.
 3. Entrez la quantité au clavier numérique, par exemple 2. Suivez les informations affichées pour la cuisson.

Pour avoir des hamburgers bien cuits ou saignants, actionnez la commande POWER LEVEL pour choisir respectivement More ou Less. Voir les réglages de plus ou moins de durée en page 28 .

4. Appuyer sur la touch START.

Après la fin du cycle de préchauffage de gril, le four s'arrête et des instructions sont affichées, suivez ce que dit le message. Ouvrez la porte et placez les hamburgers dans le four, refermez la porte.

5. Appuyer sur la touche START.

Remarques :

1. AUTO BROIL peut se programmer avec un ajustement de plus ou moins de temps. Voir la page 28.
2. Si on essaye d'entrer plus ou moins que la valeur permise indiquée au tableau, un message d'erreur s'affiche.

TABLEAU AUTO BROIL (VOÛTE AUTOMATIQUE)

RÉGLAGE/ALIMENT	AMOUNT	PROCEDURE
1. HAMBURGERS	1 à 8 pesant 1/4 de livre chacun	Choisissez ce réglage pour faire griller des hamburgers. Posez sur la grille inférieure.
2. CHICKEN PIECES (Morceaux de poulet)	0,5 à 3,0 livres	Disposez les morceaux sur la grille inférieure. Après cuisson, laissez reposer 3-5 minutes. La température doit être de 180° F sauf pour les blancs qui doivent être à 170° F.
3. STEAKS (Biftecks)	0,5 à 2,0 livres	Choisissez ce réglage pour faire griller des biftecks de 3/4 à 1 po d'épaisseur. Les biftecks individuels désossés cuisent uniformément. Posez les biftecks sur la grille inférieure. Touche POWER LEVEL une fois une cuisson à point et deux fois pour des biftecks saignants.
4. FISH STEAKS (Tranches de poisson)	0,5 à 2,0 livres	Choisissez ce réglage pour faire griller une tranche de poisson de 3/4 à 1 po d'épaisseur. Posez sur la grille inférieure.

CONVECTION AUTOMATIQUE COMBINÉE FONCTIONS

AUTO ROAST (RÔTISSAGE AUTOMATIQUE)

AUTO ROAST fait automatiquement rôtir le poulet, la dinde, le blanc de dinde ou le porc.

- Pour faire rôtir un poulet de 2,5 livres :
1. Appuyer sur la touche AUTO ROAST.
 2. Sélectionner le réglage voulu. Par exemple pour le poulet entrez 1.
 3. Entrer le poids aux touches numériques, par exemple 25 livres.
 4. Appuyer sur la touche Start.

Après la fin du cycle de rôtissage à convection, une tonalité longue retentit. Suivre les consignes du message affiché.

Remarque :

1. AUTO ROAST peut se programmer avec un ajustement de plus ou moins de temps. Voir la page 50.
2. Si on essaye d'entrer plus ou moins que la valeur permise indiquée au tableau, un message d'erreur s'affiche.

TABLEAU AUTO ROAST (RÔTISSAGE AUTOMATIQUE)

RÉGLAGE/ALIMENT	QUANTITÉ	GRILLE	MARCHE À SUIVRE
1. CHICKEN (Poulet)	2,5 à 7,0 livres (1,2 à 3,1 kg)	Inférieure	À la fin du cycle, couvrir d'une feuille d'aluminium et laissez reposer 5 à 10 minutes. La température interne des blancs de poulet doit être de 170° F et de 180° F pour les autres pièces.
2. TURKEY (unstuffed) (Dinde-sans farce)	6,5 à 9,0 livres (3,0 à 4,0 kg)	Inférieure	Assaisonner au goût. Placer sur la grille inférieure. À la fin du cycle, couvrir d'une feuille d'aluminium et laissez reposer pendant 10 minutes. La température interne des blancs de dinde doit être de 170° F et de 180° F pour les autres pièces.
3. TURKEY BREAST (Blanc de dinde)	3,0 à 6,0 livres (1,4 à 2,7 kg)	Inférieure	Assaisonner au goût. Placer sur la grille inférieure. À la fin du cycle, couvrir d'une feuille d'aluminium et laissez reposer pendant 10 minutes. La température interne des blancs de dinde doit être de 170° F.
4. PORK (Porc)	2,0 à 3,5 livres (0,9 à 1,5 kg)	Inférieure	Le filet de porc désossé est recommandé pour sa cuisson uniforme. Placez sur la grille inférieure. Après la cuisson, retirez du four, couvrez d'une feuille d'aluminium et laissez reposer 5 à 10 minutes. La température interne doit être de 160° F.

CONVECTION AUTOMATIQUE COMBINÉE FONCTIONS

AUTO BAKE (SOLE AUTOMATIQUE)

AUTO BAKE automatiquement cuire au four les gâteaux, les carrés au chocolat, muffins, et frites.

- Pour un gâteau de 13 po x 9 po x 2 po cuit au four :

1. Appuyer sur la touche AUTO BAKE.

Remarque : le plateau tournant est automatiquement mis à l'arrêt.

2. Touche les chiffres. Par exemple : pour un gâteau, touche 1.

3. Appuyer sur la touche START.

4. À la fin du cycle de préchauffage AUTO BAKE, quatre tonalités se font entendre. Suivre les consignes du message affiché. Sez le gâteau à l'intérieur. Refermer la porte et touche START.

À la fin du cycle AUTO BAKE, une longue tonalité se fait entendre et *END* apparaît à l'affichage.

Remarque : AUTO BAKE peut se programmer avec ajustement de plus ou moins de temps. Voir la page 28.

TABLEAU AUTO BAKE (SOLE AUTOMATIQUE)

RÉGLAGE/ ALIMENT	DIMENSIONS/ CAPICITÉ DES MOULES	GRILLE	MARCHE À SUIVRE
1. CAKE (Gâteau)	13 po x 9 po x 2 po	Inférieure	Idéal pour les mélanges à gâteau ou recettes maison dans un moule de 13 po x 9 po x 2 po. Suivez le mode d'emploi du mélange ou la recette, et versez dans le moule de dimensions ci-dessus beurré et saupoudré de farine. Après le préchauffage, placez le moule au centre de la grille inférieure. Laissez refroidir avant de napper et de servir.
2. BROWNIES (Carrés au chocolat)	13 po x 9 po x 2 po	Inférieure	Idéal pour les mélanges pour carrés au chocolat ou recettes maison dans un moule de 13 po x 9 po x 2 po. Suivez le mode d'emploi du mélange ou la recette, et versez dans le moule de dimensions ci-dessus beurré et saupoudré de farine. Après le préchauffage, placez le moule au centre de la grille inférieure. Laissez refroidir avant de découper en portions individuelles.
3. MUFFINS	Plaque à 12 moules	Inférieure	Idéal pour les mélanges pour muffins ou recettes maison pour 12 muffins de taille moyenne. Suivez le mode d'emploi du mélange ou la recette, et versez dans 12 moules à muffins. Après le préchauffage, placez le moule au centre de la grille inférieure.
4. FRENCH FRIES (Frites)	Tôle à biscuits pour 3 à 24 onces	Inférieure	Utilisez des frites surgelées prêtes à servir. Aucun préchauffage n'est requis pour la préparation des frites. Disposez-les sur la tôle placée sur la grille inférieure. Pour les frites allumettes, touche POWER LEVEL deux fois afin de programmer une durée plus courte avant de toucher START.

AUTRES PARTICULARITÉS COMMODES

CUISSON PAR SÉQUENCES MULTIPLES

Le four peut se programmer pour un maximum de quatre séquences de cuisson automatiques en mode micro-ondes et trois séquences automatiques en mode convection, passant automatiquement d'un mode à l'autre.

Les recettes recommandent parfois de commencer la cuisson à un certain niveau de puissance pour passer ensuite à un autre niveau, ce que votre four peut accomplir automatiquement.

- Pour cuire un rôti de boeuf 5 minutes au niveau de 90 %, puis continuer la cuisson pour 30 minutes à 50 % :

1. Appuyer sur la touche POWER LEVEL une fois.
2. Touch nombre 9 pour 90% de puissance.
3. Entrer la durée de cuisson en composant 500 aux touches numériques.
4. Touche POWER LEVEL une deuxième fois.
5. Touch nombre 5 pour 50% de puissance.
6. Entrer la durée de cuisson en composant 3000 aux touches numériques.
7. Appuyer sur la touche START.

Remarques :

1. Comme la commande POWER LEVEL a été activée deux fois, HIGH est affiché.
2. Si 100 % est choisi comme séquence finale, il n'est plus nécessaire de toucher POWER LEVEL.
3. Si l'on souhaite connaître le niveau de puissance programmée, il suffit de toucher la commande POWER LEVEL. La puissance s'affiche tant que le doigt reste sur cette touche.

PLUS OU MOINS DE TEMPS D'AJUSTEMENT

Plus : Si vous préférez une cuisson un peu plus à point pour les réglages des fonctions DEFROST , AUTO ROAST, AUTO BAKE, AUTO BROIL, SENSOR COOK ou SENSOR, touche POWER LEVEL une fois après avoir sélectionné la fonction.

Moins : Si vous préférez une cuisson un peu moins poussée pour les réglages des fonctions DEFROST , AUTO ROAST, AUTO BAKE, AUTO BROIL, SENSOR COOK ou SENSOR, touche POWER LEVEL deux fois après avoir sélectionné la fonction.

EXTRA MINUTE (MINUTE SUPPLÉMENTAIRE)

La touche EXTRA MINUTE permet de commander une cuisson d'une durée d'une minute au niveau 100 %. Au cours du fonctionnement manuel, il est possible d'augmenter la durée de cuisson par incrément de 1 minute en appuyant sur cette touche autant de fois qu'il est nécessaire.

- Supposons que l'on veuille réchauffer une tasse de soupe pendant une minute.

Appuyer sur la touche EXTRA MINUTE.

Remarques :

1. La touche EXTRA MINUTE n'a d'effet que pendant la cuisson ou que dans la minute suivant une cuisson, l'ouverture et la fermeture de la porte, et la pression sur la touche STOP/CLEAR.
2. La touche EXTRA MINUTE ne peut pas être utilisée avec SENSOR, SENSOR COOK, DEFROST, AUTO BROIL, AUTO ROAST ou AUTO BAKE.

AUTRES PARTICULARITÉS COMMODES

HELP MENU (MENU D'AIDE)

La touche HELP MENU facilite l'emploi du four en permettant l'affichage d'instructions pour 5 fonctions.

1. Verrouillage de sécurité

Le verrouillage de sécurité évite une utilisation indésirable du four à micro-ondes par des enfants par exemple. Le four peut être configuré pour que son tableau de commandes soit désactivé ou verrouillé. Pour ce faire, toucher HELP MENU, le chiffre 1 puis START. Si on veut ensuite activer une commande LOCK apparaît à l'affichage

Pour annuler le verrouillage, toucher HELP MENU puis STOP/CLEAR.

2. Suppression du signal sonore

Si on désire que le four n'émette pas de signal sonore pendant son fonctionnement, appuyer sur la touche HELP MENU, la touche 2 et la touche STOP/CLEAR.

Pour rétablir l'émission du signal sonore, appuyer sur la touche HELP MENU, la touche 2 et la touche START.

3. Démarrage automatique

Si on désire programmer le four de façon à ce qu'il commence la cuisson à une heure précise, procéder comme suit :

- Supposons que l'on veuille commencer la cuisson d'un ragoût à 4:30 au niveau 50 %, pendant 20 minutes. Avant tout, s'assurer que l'horloge indique l'heure exacte.
1. Appuyer sur la touche HELP MENU.
 2. Toucher le chiffre 3 pour sélectionner Auto Start (démarrage auto).
 3. Pour entrer l'heure de démarrage à 4 :30, activer successivement 4,3 et 0.
 4. Appuyer sur la touche CLOCK.
 5. Pour entrer le programme de cuisson, activer POWER LEVEL, puis 5 et ensuite 2000 pour la durée de cuisson.
 6. Appuyer sur la touche START.

Remarques :

1. Le mode Auto Start peut être utilisé pour la cuisson manuelle, AUTO BROIL, AUTO ROAST et AUTO BAKE, si l'horloge est paramétrée.

2. Si on ouvre la porte du four après avoir programmé un démarrage automatique, il faut appuyer sur la touche START de manière à afficher l'heure à laquelle doit commencer la cuisson, faute de quoi celle-ci ne débutera pas à l'heure prévue.

3. S'assurer que les aliments peuvent être conservés sans risque dans le four jusqu'à l'heure de leur cuisson. Les courges et potirons font partie de ceux-là.

4. Sélection de langue

Le four à micro-ondes est d'origine paramétré en anglais. Pour changer actionner HELP MENU et entrer 4. Continuer d'actionner 4 jusqu'à ce que la langue choisie soit sélectionnée. Toucher alors la commande START.

Un appui sur 4 : sélection de l'anglais.

Deux appuis sur 4 : sélection de l'espagnol.

Trois appuis sur 4 : sélection du français.

AUTRES PARTICULARITÉS PRATIQUES

5. Sélections de poids et de température

Le four à micro-ondes est d'origine paramétré pour les unités américaines de température et poids. Pour changer actionner HELP MENU et entrer 5. Continuer d'actionner 5 jusqu'à ce que les unités choisies aient été sélectionnées. Toucher alors la commande START.

Un appui sur 5 : sélection de LB / °F.

Deux appuis sur 5 : sélection de KG / °C.

HELP (INDICATION À L'AFFICHAGE)

Chaque réglage de DEFROST, AUTO BROIL, AUTO ROAST, AUTO BAKE et SENSOR COOK, comporte un conseil de cuisine. Pour consulter ces conseils, touche HELP MENU chaque fois que HELP s'allume en affichage interactif.

START (DÉMARRAGE)

START permet de cuire à puissance maximale (100 %) aussi longtemps que l'on maintient la pression d'un doigt sur la touche START. START est parfait pour faire fondre du fromage, porter du lait à une température tout juste inférieure à la température d'ébullition, etc. La durée de cuisson maximum est de 3 minutes.

- Supposons que l'on veuille faire fondre un morceau de fromage sur une tranche de pain.
 1. Maintenir la pression d'un doigt sur la touche START. La durée s'affiche.
 2. Lorsque le fromage a atteint l'onctuosité désirée, relâcher la pression du doigt sur la touche START. Le four cesse immédiatement de fonctionner.

Remarques :

1. *Noter les temps nécessaires concernant à diverses opérations fréquentes et les programmer pour une utilisation future.*
2. *La touche START n'a d'effet que au cours de la minute qui suit une cuisson, l'ouverture et la fermeture de la porte ou une pression sur la touche STOP/CLEAR.*
3. *La touche START ne peut être utilisée que trois fois de suite. Il faut ensuite ouvrir et fermer la porte du four ou appuyer sur la touche STOP/CLEAR, pour augmenter le temps de cuisson.*

KITCHEN TIMER (MINUTERIE DE CUISINE)

- Supposition : chronométrage d'un appel téléphonique longue distance pour 3 minutes.
 1. Appuyer sur la touche KITCHEN TIMER.
 2. Entrer la durée touchant la séquence 300.
 3. Appuyer sur la touche START.

MODE DE DÉMONSTRATION

Pour lancer une démonstration, toucher dans l'ordre CLOCK, 0 et la commande START à maintenir pendant 3 secondes. *DEMO ON DURING DEMO NO OVEN POWER* et *DEMO* va s'afficher. On peut alors démontrer les opérations de cuisson et les possibilités spécifiques sans que le four à micro-ondes ne génère de puissance. Par exemple, l'appui sur la commande EXTRA MINUTE provoque l'affichage de 1.00 suivi d'un décompte rapide jusqu'à l'affichage de *END* à la fin.

Pour sortir du mode démonstration, toucher dans l'ordre CLOCK, 0, et la commande STOP/CLEAR.

NETTOYAGE ET ENTRETIEN

Débrancher le cordon secteur avant de nettoyer, ou laisser la porte ouverte pour inactiver le four micro-ondes durant son nettoyage.

EXTÉRIEUR

La surface extérieure du four est peinte. Nettoyez l'extérieur à l'eau et au savon doux; rincez et séchez avec un linge doux. N'employez aucun produit de nettoyage de ménage ou produit abrasif.

PORTE

Essuyez les deux faces de la porte avec un linge humide pour supprimer toutes éclaboussures. Les parties métalliques sont plus faciles à entretenir si elles sont essuyées souvent avec un linge humide. Éviter l'utilisation de pulvérisateur et autres nettoyeurs forts pour ne pas tacher, strier ou délustrer la surface de la porte.

PANNEAU TACTILE DE COMMANDE

Nettoyez le panneau avec précaution. S'il se salit, le désactiver en ouvrant la porte du four avant le nettoyage. Essuyez le panneau avec un linge légèrement humecté d'eau seulement. Séchez avec un linge doux. Ne pas frotter, récurer, ni utiliser aucun produit d'entretien chimique. Utilisez le moins d'eau possible. Fermez la porte et touche STOP/CLEAR.

INTÉRIEUR - APRÈS CUISSON AUX MICRO-ONDES

Le nettoyage est facile car il y a peu de chaleur dégagée sur les surfaces intérieures. De ce fait il n'y a pas de surchauffe ni de projections ou éclaboussures. Pour nettoyer les surfaces intérieures, essuyez avec un chiffon doux et de l'eau chaude. N'UTILISEZ PAS DE NETTOYANTS ABRASIFS OU FORTS, NI DE TAMPONS À RÉCURER. Pour les salissures coriaces, utilisez du bicarbonate de soude ou du savon doux. Rincez complètement à l'eau claire. NE PROJETEZ JAMAIS DE NETTOYANT POUR FOUR DIRECTEMENT SUR UNE PARTIE QUELCONQUE DU FOUR À MICRO-ONDES.

INTÉRIEUR - APRÈS CUISSON PAR CONVECTION OU COMBINÉE, OU GRILLADE

Les corps gras et l'humidité peuvent laisser des éclaboussures. Lavez immédiatement à l'eau chaude savonneuse. Rincez à fond et séchez par polissage. Des salissures plus difficiles à enlever peuvent se former si le four n'est pas nettoyé scrupuleusement et en cas de cuisson prolongée ou à haute température. En pareil cas, il conviendrait d'acheter un tampon à nettoyer les fours, déjà imbibé d'un produit liquide et destiné aux surfaces d'acier inox ou de porcelaine - et non pas un tampon à récurer, saturé de savon. Suivez soigneusement le mode d'emploi du fabricant et prenez particulièrement soin de ne pas laisser pénétrer le liquide dans les perforations des parois ni nulle part sur la porte. Rincez à fond et séchez par polissage.

COUVERCLE DU GUIDE D'ONDES

Lavez soigneusement toute particule d'aliment déposée sur le couvercle du guide d'ondes qui se trouve à la surface supérieure de l'intérieur du four.

DÉSODORISATION

Des odeurs de cuisine peuvent éventuellement persister dans le four. Pour les éliminer, mélangez le jus et l'écorce râpée d'un citron et quelques clous de girofle, avec une tasse d'eau dans un récipient de deux tasses. Faites bouillir quelques minutes au niveau de 100 %. Laissez refroidir dans le four. Essuyez l'intérieur avec un linge doux.

NETTOYAGE ET ENTRETIEN

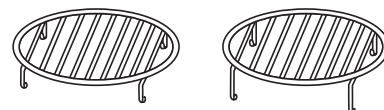
PLATEAU TOURNANT ET SUPPORT

Le plateau tournant en céramique et son support se démontent et leur nettoyage est facile. Lavez à l'eau douce savonneuse ; toute tache qui résiste se nettoie avec un produit doux et une éponge à récurer telle que décrite plus haut. Ces pièces sont également lavables dans la partie supérieure du lave-vaisselle.



GRILLES

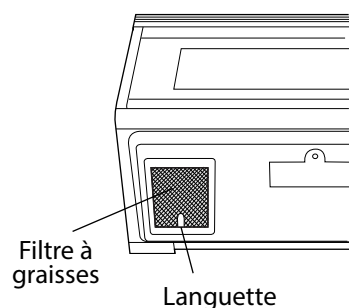
Les grilles supérieures et inférieures sont amovibles pour un nettoyage facile et peuvent se ranger à l'écart du four à micro-ondes lorsqu'elles ne servent pas. Lavez-les à l'eau douce savonneuse après chaque usage. Toute tache difficile à enlever se nettoie avec un produit doux d'entretien et une éponge à récurer comme décrite ci-dessus. Les grilles sont lavables au lave-vaisselle.



FILTRES À GRAISSES

Les filtres doivent être nettoyés au moins une fois par mois. Ne jamais faire fonctionner le ventilateur ou le four en l'absence de filtres.

1. Tirez la languette de chacun des deux filtres vers l'avant et légèrement vers le bas du four pour les retirer.
2. Laissez tremper les filtres dans l'évier ou dans une bassine remplie d'eau chaude additionnée de détergent. NE PAS utiliser d'ammoniaque ou autre alcali, qui réagissent avec le matériau du filtre pour le noircir.
3. Secouez et frottez à la brosse pour désincruster.
4. Rincez à fond et secouez pour faire sécher.
5. Réinstallez les filtres en les encastrant à leur place.



VENTILATEUR

Le ventilateur se déclenche automatiquement sous l'effet de la chaleur montant de la cuisinière, ou celle des cuissons en mode convection, combiné fort ou faible niveau, ou grillade. Le four à micro-ondes est ainsi protégé contre toutes températures excessives. Le ventilateur continue à fonctionner jusqu'à réduction de la température, et ne peut pas être arrêté manuellement entre-temps.

Pour d'autres besoins de ventilation, sélectionnez haute ou basse vitesse.

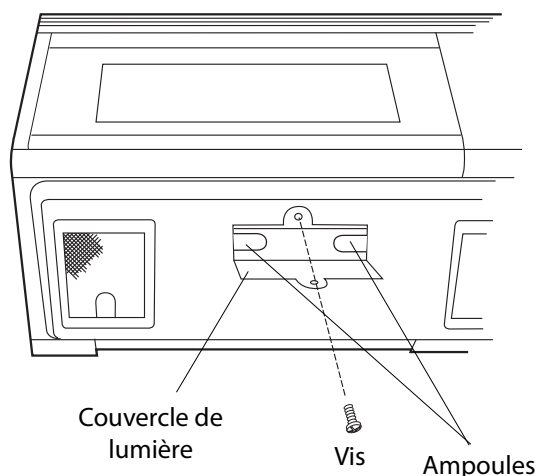
Précautions D'emploi :

1. NE PAS laisser la cuisinière réglée à hautes températures sans surveillance. Le ventilateur risque de démarrer automatiquement, fournissant trop d'air aux unités de surface et provoquant d'éventuelles éclaboussures ou des débordements.
2. Évitez de brûler les préparations.
3. Veillez à la propreté des filtres à graisses.

NETTOYAGE ET ENTRETIEN

ÉCLAIRAGE

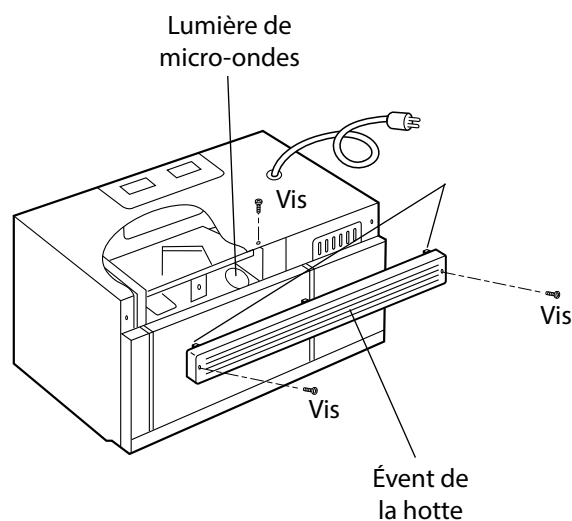
1. Pour remplacer les ampoules, coupez d'abord l'alimentation du four au panneau disjoncteur ou en débranchant à la prise.
2. Pour dégager le couvercle d'ampoules, retirez les vis qui le maintiennent. (Voir l'illustration).
3. Utilisez uniquement les ampoules de puissance égale disponibles auprès d'un prestataire de services ou fournisseur de pièces agréé Fisher & Paykel. Ces ampoules s'obtiennent aussi dans la plupart des quincailleries ou magasins d'éclairage. **NE PAS UTILISER D'AMPOULES SUPÉRIEURES À 30 WATTS.**
4. Fermez le couvercle d'ampoules et remettez la vis retirée à l'étape 2.



AVERTISSEMENT : Le couvercle peut être brûlant. Ne pas toucher au verre lorsque l'ampoule est allumée. Ne pas laisser l'éclairage allumé longtemps, comme par exemple en veilleuse.

AMPOULE DU FOUR

1. Coupez l'alimentation du four au panneau disjoncteur ou en débranchant à la prise.
2. Retirez les trois vis du volet.
3. Suppression de persienne en insérant tournevis plat de pointe sur chaque onglet à appuyer sur l'onglet et le déplacement grille loin de l'unité.
4. Tirez le volet à l'écart du four.
5. Faites glisser le couvercle d'ampoules vers l'avant, puis soulever.
6. Retirez l'ampoule usagée et remplacez uniquement par une ampoule de puissance égale disponible auprès d'un prestataire de services ou fournisseur de pièces agréé Fisher & Paykel. Ces ampoules s'obtiennent aussi dans la plupart des quincailleries ou magasins d'éclairage. **NE PAS UTILISER D'AMPOULES SUPÉRIEURES À 30 WATTS.**
7. Réinstallez le couvercle d'ampoules du four ; poussez le volet en position et remettez les trois vis de montage.



NETTOYAGE ET ENTRETIEN

FILTRE À CHARBON

Le filtre à charbon est utilisé pour non - ventilé , installations re- distribué . Le filtre doit être changé tous les 6 à 12 mois selon l'utilisation.

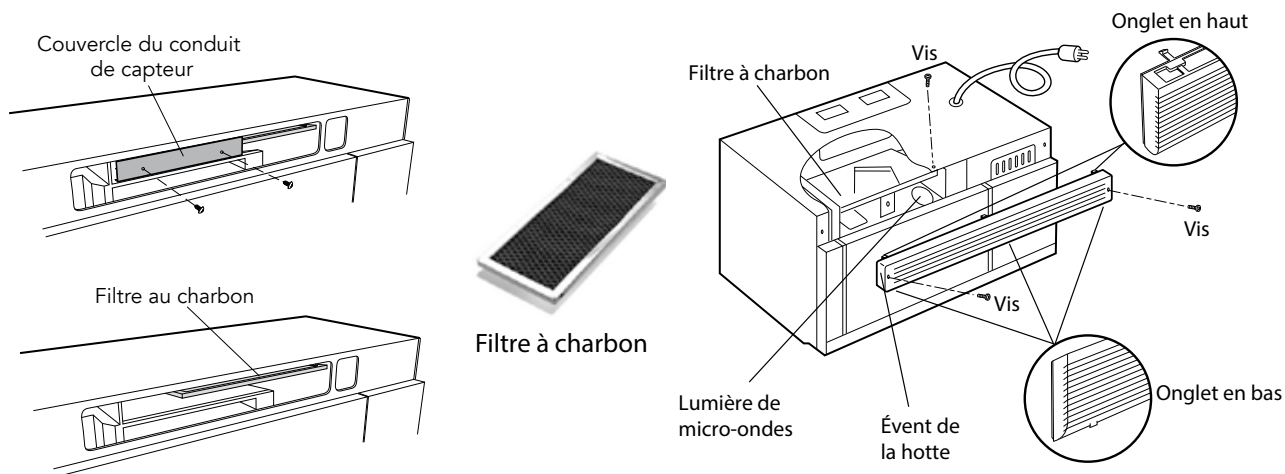
Pour installer d'abord le filtre à charbon :

1. Débranchez l'alimentation du four au panneau de disjoncteurs ou en débranchant.
2. Enlevez les 3 vis qui fixent volet.
3. Retirer volet en insérant bord tournevis plat sur chaque onglet , appuyer sur la languette vers le bas et déplacer la grille loin de l'unité.
4. Tirer persienne loin du four.
5. Enlevez les 2 vis qui couvrent le couvercle du conduit de capteur.
6. Retirez le couvercle du conduit de capteur.
7. Insérez le filtre à charbon en faisant glisser en position sur pattes de support.
8. Remettre le couvercle du conduit de capteur et le fixer avec 2 vis.
9. Poussez évent en place et enclenchez-le délicatement onglets en place à la main. Remplacer les 3 vis pour fixer volet.

Pour modifier / remplacer le filtre à charbon :

1. Débranchez l'alimentation du four au panneau de disjoncteurs ou en débranchant.
2. Enlevez les 3 vis qui fixent volet.
3. Retirer volet en insérant bord tournevis plat sur chaque onglet , appuyer sur la languette vers le bas et déplacer la grille loin de l'unité.
4. Tirer persienne loin du four.
5. Enlevez les 2 vis qui couvrent le couvercle du conduit de capteur.
6. Retirez le couvercle du conduit de capteur.
7. Supprimer le filtre à charbon vieux ; jeter.
8. Faites glisser le remplacement filtre à charbon en position sur pattes de support.
9. Remettre le couvercle du conduit de capteur et le fixer avec 2 vis.
10. Poussez évent en place et enclenchez-le délicatement onglets en place à la main. Remplacer les 3 vis pour fixer volet.

Remarque : Remplacement filtre à charbon peut être acheté à partir de Fisher and Paykel . Afin numéro de pièce 247890 .



APPEL DE SERVICE

Veillez vérifier ce qui suit avant de faire appel à un réparateur :

1. Placez une tasse d'eau dans un verre gradué dans le four et fermez bien la porte.

Faites fonctionner le four pendant deux minutes à puissance HAUTE 100%.

- A. Est-ce que la lumière du four est allumée? OUI _____ NON _____
- B. Est-ce que le ventilateur de cuisson fonctionne? (Placez la main sur l'évent à lame au-dessus de l'affichage interactif) OUI _____ NON _____
- C. Est-ce que le plateau tournant pivote lorsque TURNTABLE ON/OFF est touché et que TURNTABLE ON/OFF est à l'affichage? (Il est normal que le plateau tourne dans les deux sens lorsque TURNTABLE ON est affiché). OUI _____ NON _____
- D. Est-ce que l'eau est chaude? OUI _____ NON _____
- E. Est-ce que "H" apparaît sur l'écran lorsque le ventilateur est activé manuellement? OUI _____ NON _____

2. Enlever l'eau du four et programmer : CONVEC, , 500, START

- A. Est-ce que CONV et COOK s'allument? OUI _____ NON _____
- B. Après que le four s'arrête, est-ce que l'intérieur est chaud? OUI _____ NON _____

Si vous avez répondu NON à l'une ou l'autre de ces questions, vérifiez la prise électrique, le fusible ou le disjoncteur. S'ils fonctionnent convenablement, CONTACTEZ LE RÉPARATEUR Fisher & Paykel AUTORISÉ LE PLUS PROCHE. Il ne faut jamais réparer un four à micro-ondes soi-même.

Remarque : Si le temps qui apparaît dans l'affichage diminue très rapidement, vérifiez le MODE DÉMONSTRATION à la page 30 et annulez.

Pour le service sous garantie, contactez votre distributeur ou le Centre de service à la clientèle au (888) 936-7872. Avant d'appeler, veuillez avoir les informations suivantes à portée de main :

- Numéro de modèle (se trouve sur le coin inférieur gauche du bord avant de la cavité).
- Numéro de série (se trouve sur le coin inférieur gauche du bord avant de la cavité).
- Date d'installation
- Brève description du problème

Votre satisfaction revêt la plus grande importance pour nous. Si un problème n'est pas résolu à votre entière satisfaction, veuillez communiquer avec nous par courrier.

Écrivez-nous à l'adresse suivante :

Fisher & Paykel Appliances Inc.
695 Town Center Drive, Suite 180
Costa Mesa, CA 92626-1902
USA

Toll free: 1.888.9.FNP.USA (1.888.936.7872)

Fax: 949.790.8911

Email: usa.customercare@fisherpaykel.com

Web: www.fisherpaykel.com

FICHE TECHNIQUE


Tension courant alternatif :	Homologué UL - Monophasé 120V, 60Hz, courant alternatif seulement Homologué CSA - Monophasé 116V, 60Hz, courant alternatif seulement
Alimentation requise :	Homologué UL - 1 600 W 13,2 A Homologué CSA - 1 500 W 13,0 A
Puissance de sortie :	850 W* (IEC Procédure de test)
Chauffage par convection :	1 400 W
Fréquence :	2450 MHz
Dimensions extérieures :	29 ¹⁵ / ₁₆ po (L) x 16 ¹¹ / ₃₂ po (H) x 15 ⁹ / ₃₂ po (P)
Dimensions de la cavité :	17 ¹ / ₈ po (L) x 8 ¹ / ₁₆ po (H) x 13 ¹³ / ₁₆ po (P)
Capacité du four :	1,1 pi ³
Uniformité de cuisson :	Plateau tournant/ventilateur
Poids :	Environ 71 lb.

* Méthode normalisée de la Commission électrotechnique internationale pour la mesure de puissance débitée. Cette méthode de mesure est largement reconnue.

Conforme aux normes établies par :

FCC – Federal Communications Commission

DHHS – Conforme au règlement CFR Title 21 chapitre I section J du Department of Health and Human Services (DHHS)

 – Ce symbole sur la plaque signalétique signifie que le produit est homologué par Underwriters Laboratories, Inc. pour utilisation aux États-Unis ou au Canada.

GARANTIE

GARANTIE LIMITEE

Lors de l'achat d'un four micro-ondes à convection, vous bénéficiez automatiquement d'une garantie limitée d'un an couvrant les pièces et la main d'œuvre pour l'intégralité du produit, cinq (5) ans pour le tube magnétron du produit, au niveau pièces uniquement (la main d'œuvre et le service ne sont pas fournis gratuitement pour cette prolongation de garantie sur certaines pièces) dans les 48 états continentaux des États-Unis, ainsi que Hawaï, Washington D.C. et le Canada. La garantie limitée est la même en Alaska sauf que vous devez payer les frais d'expédition du produit à un centre de service ou les frais de déplacement d'un technicien dans le cas d'une visite à domicile. Les produits destinés à une utilisation au Canada doivent être achetés auprès d'un distributeur canadien afin de respecter la réglementation en vigueur.

FISHER & PAYKEL S'ENGAGE A :

Entreprendre à ses frais (pièces et main-d'œuvre) toutes réparations du produit (sur lequel figure le numéro de série) jugé défectueux. En Alaska, vous devez payer les frais d'expédition du produit à un centre de service ou les frais de déplacement d'un technicien dans le cas d'une visite à domicile.

Si nous sommes dans l'incapacité de réparer une pièce défectueuse du produit après un nombre raisonnable de tentatives, nous pourrions, à notre choix, remplacer la pièce ou le produit, ou vous rembourser entièrement le prix d'achat du produit (à l'exclusion des frais d'installation ou autres frais).

Cette garantie s'applique à l'acheteur initial et à tous les propriétaires successifs du produit dans la mesure où il s'agit d'un produit acheté pour une utilisation à domicile normale. Tout service couvert par cette garantie limitée sera assuré par Fisher & Paykel Appliances Inc. ou son agent de service agréé durant les heures d'ouverture normales.

QUELLE EST LA DUREE DE CETTE GARANTIE LIMITEE ?

Notre responsabilité en vertu de cette garantie limitée concernant l'intégralité du produit expire UN AN à partir de la date d'achat du produit par le premier acheteur.

Notre responsabilité en vertu de toute garantie implicite, y compris la garantie implicite de qualité marchande (la garantie tacite selon laquelle le produit est approprié pour un usage normal) expire également UN AN (ou une période plus longue si requis par la loi) à partir de la date d'achat du produit par le premier acheteur. Certaines juridictions ne permettent pas la limitation de la garantie implicite, il est donc possible que la limitation ci-dessus sur les garanties implicites ne s'applique pas à vous.

NE SONT PAS COUVERTS PAR LA GARANTIE :

- A. Les appels de service n'ayant aucun rapport avec un défaut éventuel du produit. Le coût de l'appel de service sera facturé s'il se trouve que le problème n'est pas dû à un défaut du produit. Par exemple :
1. Corriger une mauvaise installation du produit.
 2. Montrer comment utiliser le produit.
 3. Remplacer des fusibles à domicile, réarmer les disjoncteurs, réparer les fils électriques ou la plomberie du domicile, ou remplacer des ampoules.
 4. Corriger des anomalies causées par l'utilisateur.
 5. Changer la configuration du produit.
 6. Modifications non autorisées du produit.
 7. Bruits ou vibrations considérés comme normaux, par exemple les bruits de drain ou de ventilateur, les bruits de régénération (vibrations, siémes) ou les signaux d'avertissement à l'intention de l'utilisateur.
 8. Corriger des dommages causés par des animaux nuisibles, par exemple des rats, des coquerelles, etc.

GARANTIE

B. Défauts causés par des facteurs autres que :

1. Utilisation domestique normale ou
2. Utilisation conformément aux indications du guide d'utilisation et d'entretien du produit.

C. Défauts du produit pour cause d'accident, négligence, mauvaise utilisation, incendie, inondation ou calamité naturelle.

D. Les coûts des réparations effectuées par des techniciens non autorisés ou le coût de correction de ces réparations non autorisées.

E. Les frais de voyage et les frais connexes encourus lorsque le produit est installé dans un lieu à accès illimité ou restreint (déplacement par avion ou par bateau, régions géographiques isolées, etc.).

F. Entretien normal recommandé par le manuel d'utilisation et d'entretien du produit.

Contactez votre distributeur ou votre installateur en cas de problème d'installation. Il vous incombe d'assurer une installation électrique, une ventilation et toute autre connexion appropriées.

Nous ne sommes pas responsables des dommages indirects ou accessoires (coût de réparation ou de remplacement d'autres biens endommagés parce que le produit était défectueux ou tout autre coût que vous auriez encouru parce que le produit était défectueux). Certaines juridictions interdisent l'exclusion ou la restriction de la responsabilité des dommages indirects ou accessoires; l'exclusion ou la restriction indiquée cidessus peut donc ne pas s'appliquer à votre cas particulier.

POUR OBTENIR DES REPARATIONS

Veillez consulter le manuel d'utilisation et d'entretien. Si vous avez des questions concernant l'utilisation du produit, que vous cherchez le nom de l'agent de service agréé local ou que pensez que le produit est défectueux et désirez le faire réparer dans le cadre de cette garantie limitée, veuillez contacter votre distributeur ou nous appeler au numéro suivant :

(NUMÉRO SANS FRAIS) 1-888-936-7872 ou contactez-nous par l'intermédiaire de notre site Web : www.fisherpaykel.com

Vous devrez peut-être présenter une preuve raisonnable de la date d'achat du produit avant de pouvoir bénéficier d'une réparation dans le cadre de cette garantie limitée.

UTILISATION COMMERCIALE

Cette garantie s'applique à des appareils électroménagers utilisés à domicile; elle ne couvre pas les cas d'utilisation commerciale.

AUCUNE AUTRE GARANTIE

Cette garantie limitée constitue l'accord entier et exclusif entre vous et Fisher & Paykel Appliances Inc. en ce qui concerne tout défaut du produit. Aucun de nos employés (ou agents de service agréés) n'est autorisé à apporter des ajouts ou des modifications à cette garantie limitée.

Garant : Fisher & Paykel Appliances, Inc.

Si vous avez besoin d'aide au sujet de cette garantie limitée, veuillez nous appeler au numéro ci-dessus ou nous écrire à l'adresse suivante :

Fisher & Paykel Appliances Inc.
695 Town Center Drive, Suite 180
Costa Mesa, CA 92626-1902
USA

Cette garantie limitée vous donne des droits juridiques spécifiques et vous pouvez bénéficier d'autres

GARANTIE

droits qui varient d'une juridiction à l'autre.

Fisher & Paykel Appliances Inc. est un fabricant de pointe d'appareils de cuisson et d'appareils spécialisés.

FISHERPAYKEL.COM

© Fisher & Paykel Appliances 2018. All rights reserved.

The product specifications in this booklet apply to the specific products and models described at the date of issue. Under our policy of continuous product improvement, these specifications may change at any time. You should therefore check with your Dealer to ensure this booklet correctly describes the product currently available.

© Fisher & Paykel Appliances 2018. Tous droits réservés.

Les caractéristiques de produit présentées dans ce livret s'appliquent aux modèles et produits spécifiques qui y sont décrits à la date de publication. Dans le cadre de notre politique d'amélioration en permanence de nos produits, ces caractéristiques peuvent être modifiées à tout moment. Nous vous recommandons de vérifier auprès de votre détaillant que ce livret décrit le produit actuellement disponible.

US CA

243709F 01.18