

24" ADA-COMPLIANT SERIES BEVERAGE CENTER

HA24BB-3 | 24" INDOOR MODEL

Perlick[®]
QUALITY & INNOVATION
THAT **INSPIRES**



Solid Door Model



Glass Door Model



Intertek

GENERAL 24" ADA-COMPLIANT SERIES FEATURES

- 32" height with leveling legs
- 525 Btu commercial-grade compressor
- Front-vented, RAPIDcool forced-air refrigeration system
- Commercial-grade stainless steel interior and black vinyl-clad exterior
- **Industry Exclusive** convertible door design allows all doors the ability to be converted to wood overlay from stainless steel
- **Industry Exclusive** adjustable, full-extension pull-out shelves
- Stainless-steel ball-bearing glides provide smooth movement of shelves
- Low E, UV-coated glass provides industry leading insulation and protection.
- Electromechanical temperature control
- Interior light
- Optional door locks and Industry-Exclusive drawer locks (factory installed)
- Stacking kit available
- Also available - ADA Compliant Freezer, Refrigerator, Wine Reserve and 15" Clear Ice Maker
- 4.8 cubic feet of capacity
- Industry Best Three Year Warranty plus additional three years on sealed system

HA24BB-3 FEATURES

- Available with solid stainless steel door, wood overlay door, stainless steel glass door or wood overlay glass door
- Includes two (2) full-extension pull-out wine shelves to accommodate eight (8) bottles each and one (1) full-extension pull-out shelf
- Beverage Center temperature 35° - 48°F

Form No.HA24BB-3
Rev. 06.12.2015

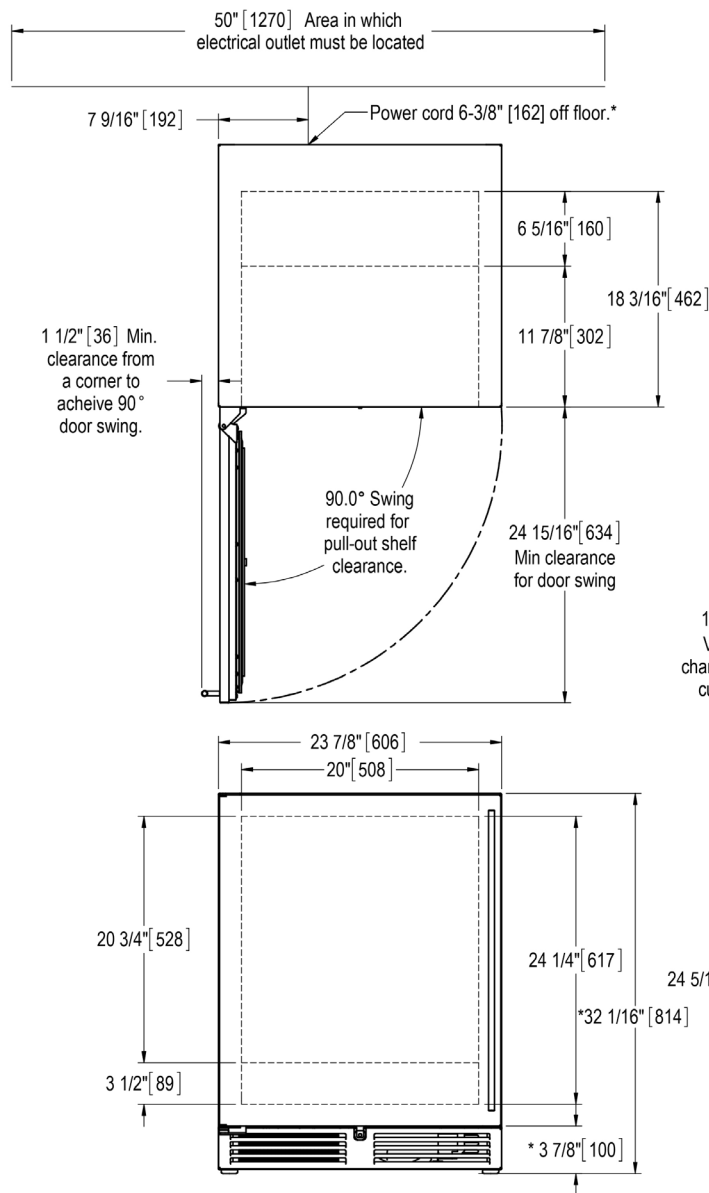
PRODUCT SPECIFICATIONS

Overall Width	23-7/8" (606 mm)
Overall Height	32" (814 mm)
Overall Depth	24" (611 mm)
Opening Width	24" (611 mm)
Opening Height	32-1/8" (816 mm)
Opening Depth	24" (611 mm)
Refrigerated Volume	4.8 cu. ft total
Door Swing Clearance	25" (634 mm)
Electrical	115V, 60Hz, 1 Phase, 2.3 amps
Plumbing	None Required
Shipping Weight	181 lbs (82.27 kg)
Annual Energy Consumption	295 kWh

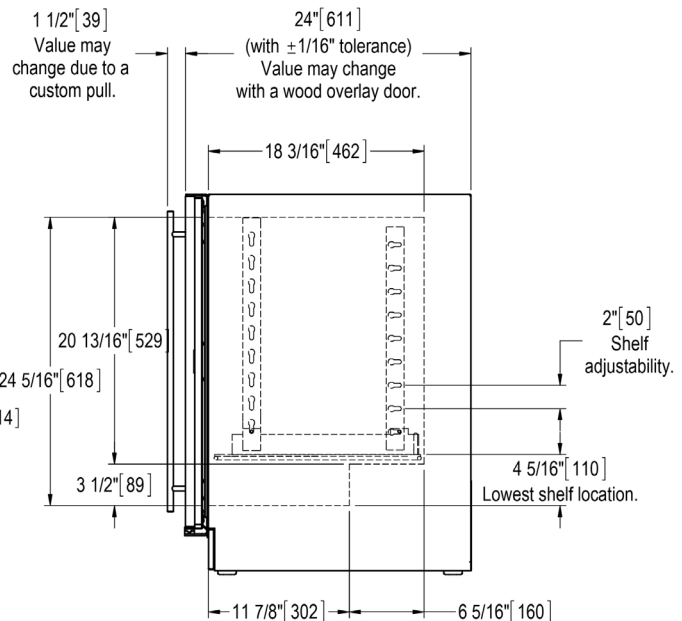
INDOOR MODELS

HA24BB-3-1L*	Solid stainless steel door, hinged left
HA24BB-3-2L*	Solid wood overlay door, hinged left
HA24BB-3-3L*	Stainless steel glass door
HA24BB-3-4L*	Wood overlay glass door

*Also available with right hinge



* - Leg levelers can add 3/4" [19] to these dimensions when fully extended.



Form No.HA24BB-3
Rev. 06.12.2015