

# ME301YP

## 30-INCH SINGLE BUILT-IN OVEN

MASTERPIECE® COLLECTION WITH PROFESSIONAL HANDLE



### FEATURES & BENEFITS

- WiFi smart appliance capabilities include personalized control, notifications & remote diagnostics via Home Connect® app
- Features 11 heating modes with 1 Full Access® telescopic rack
- Convection multi-rack mode gives uniform baking results even when using all 3 racks simultaneously
- SoftClose® hinges prevent slamming and ensure ultra-smooth closing
- Self-clean mode cleans interior walls and rack supports in as little as 2 hours
- A specially crafted full surface gray glass combines with a stainless steel handle for a luxurious look and finish



### GENERAL PROPERTIES

#### Heating Modes

(11) Bake, Variable Broil (hi & low), Roast, Warm, Proof Dough, Convection Bake, Convection Broil, Convection Roast, Pizza, True Convection, Fast Preheat

Sabbath	Yes
Cleaning Type	Self Clean
Telescopic Rack(s)	1
Standard Racks	2
Interior Lights	2 Halogen
Home Connect® (Wi-Fi Enabled)	Yes

### OVEN PERFORMANCE

Bake Element	2,400 W (4 Passes)
Broil Element	3,800 W (12 Passes)
Convection Element	2,000 W

### TECHNICAL DETAILS

Watts (240 / 208 V)	6,400 / 4,388 W
Circuit Breaker	30 Amp
Volts	240 / 208 V
Frequency	60 Hz
Plug Type	Fixed Connection, No Plug
Conduit	60" 4-Wire
Energy Source	Electric

### DIMENSIONS & WEIGHT

Overall Appliance Dimensions (HxWxD)	29" x 29 3/4" x 24 1/2"
Trim Overlaps (Top – Sides – Bottom)	3/8" to 2" – 9/16" – 0"
Required Cutout Size (HxWxD) – Standard	27" – 28 5/8" x 28 1/2" x 23 1/2"
Required Cutout Size (HxWxD) – Flush	29 1/8" x 30" x 24 1/2"
Oven Cavity Size	4.6 cu. ft.
Overall Oven Interior Dimensions (HxWxD)	17 13/16" x 24 1/8" x 17 13/16"
Usable Oven Interior Dimensions (HxWxD)	12 5/16" x 23 1/4" x 15 1/4"
Net Weight	166 lbs

### ACCESSORIES (INCLUDED)

1 Telescopic and 2 Standard Oven Racks

### WARRANTY

Limited Warranty Parts and Labor	2 Year
----------------------------------	--------

†To be fully ADA compliant, these units must be installed according to ADA guidelines. Please check current ADA requirements for guidance on installation.

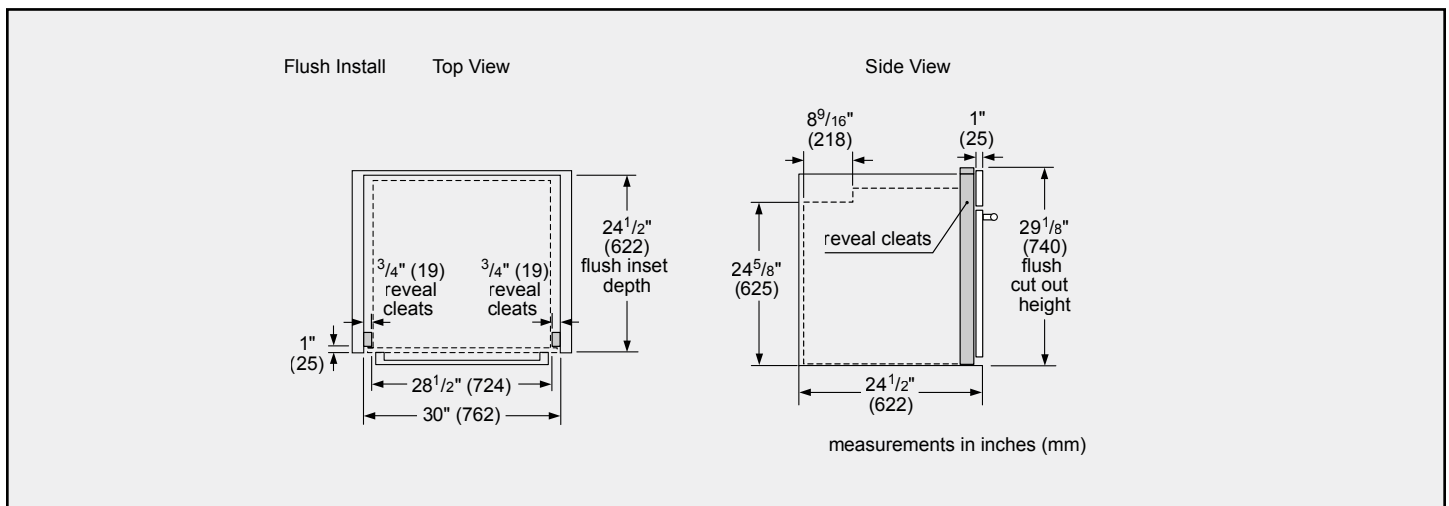
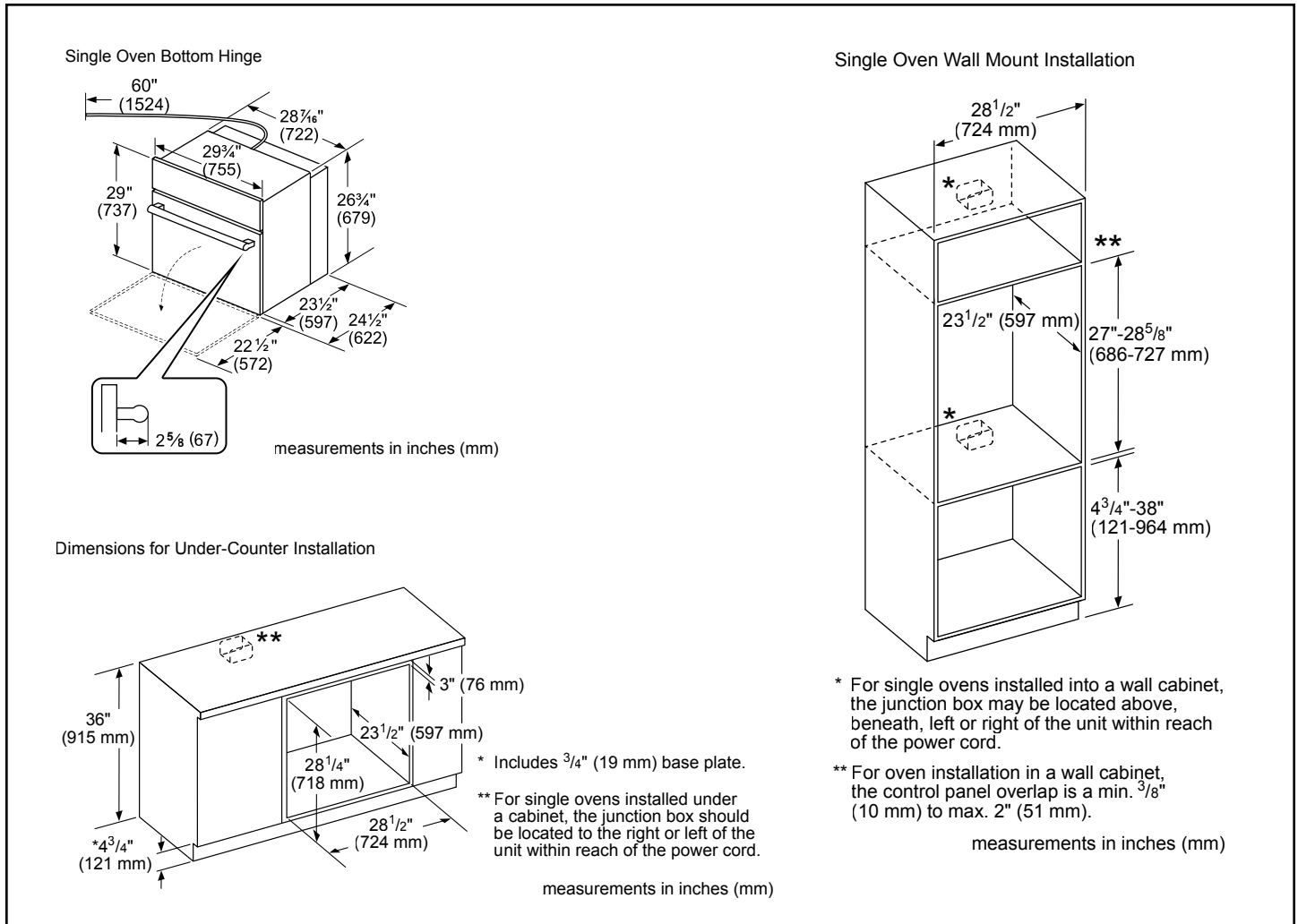
# ME301YP

## 30-INCH SINGLE BUILT-IN OVEN

MASTERPIECE® COLLECTION WITH PROFESSIONAL HANDLE



### INSTALLATION DETAILS



# ME301YP

## 30-INCH SINGLE BUILT-IN OVEN

MASTERPIECE® COLLECTION WITH PROFESSIONAL HANDLE



### INSTALLATION DETAILS

**Standard installation**  
Single oven, double oven or combo oven over warming or storage drawer

28 1/2" (724 mm)

23 1/2" (597 mm)

Single oven, double oven or combo oven cut-out height

9 1/4" (235 mm)

min. 4 3/4" max. 18" (121-457 mm)

Minimum 3/4" (18 mm) required between cut-outs.

measurements in inches (mm)

**Flush installation**  
Single oven over storage or warming drawer

Side View

1" (25 mm)

Cleats

Single oven cut-out height

9 9/16" (243 mm) flush cutout height

\*\*24 1/2" (622 mm)

Single Wall Oven

\* IMPORTANT: Base has to be able to support the weight of the oven. Please check oven manual for minimum weight requirements.

minimum 1/2" (13 mm) required between cut-outs\*

Warming Drawer

\*\* For WD30W, the installed dimension may differ. This drawing based on a 3/4" (19 mm) thick custom panel.

measurements in inches (mm)

\* Wall oven junction box may be located above or to the right or left of the unit within reach of the power cable.

\*\* Electrical hook-up may be located below (depending on space) or next to the drawer within reach of the power cable.

**Standard installation**  
30" speed oven or microwave above a single oven\*\*\*

28 1/2" (724 mm)

19 1/4" (488 mm)

27-28 5/8" (686-727 mm)

23 1/2" (597 mm)

min. 4 3/4" max. 18" (121-456 mm)

Measurements in inches (mm)

**Flush installation**  
Speed oven or microwave above a 30" single oven\*\*

1" (25 mm)

Cleats

20 1/8" (511 mm) flush cutout height

29 1/8" (740 mm) flush cutout height

\*\*24 1/2" (622 mm)

\*\*\* Flush installation requires a base plate underneath the body: 30" products—Dimensions: H 5/16" (8 mm) x W 28 1/2" (724 mm) x D 22 1/2" (571 mm)

minimum 1/2" (13 mm) required between cut-outs\*

\* IMPORTANT: Base has to be able to support the weight of the oven. Please check oven manual for minimum weight requirements.

\*\* Most combinations available as combo oven (one cut-out, one electrical hook-up).

measurements in inches (mm)

\* Junction box may be located above or next to the unit within the reach of the power cable.

\*\* Junction box may be located below (depending on space) or next to the unit within the reach of the power cable.

\*\*\* Most combinations available as combo oven (one cut-out, one electrical hook-up).

Minimum dimension between cut-out:

- 1" (25 mm) for wall oven cut-out height of 28 5/8" (727 mm)
- 2 5/8" (67 mm) for wall oven cut-out height of 27" (686 mm)

These warranties give you specific legal rights and you may have other rights that vary from state to state. Limited warranty from date of installation. For complete warranty details, refer to your Use & Care manual, or ask your dealer.

Specifications are for planning purposes only. Refer to installation instructions and consult your countertop supplier prior to making counter opening. Consult with a heating and ventilation engineer for your specific ventilation requirements. For the most detailed information, refer to installation instructions accompanying product or write to Thermador indicating the model number. Specifications are correct at time of printing. Thermador reserves the right to change product specifications or design without notice. Some models are certified for use in Canada. Thermador is not responsible for products that are transported from the U.S. for use in Canada.